



FOVERAN DEER PARK

BREEDING THE DIFFERENCE

39TH ANNUAL ELITE HIND & WEANER SALE

MONDAY 8TH AUGUST 2022

ONLINE USING THE BIDR PLATFORM @ 7PM

OFFERING TO INCLUDE MATINGS TO AND PROGENY OF:



ROBERT HAY

713 IOA 60 pts @ 4yrs



MORDECAI

681 4/8 IOA 24.59kg HA @ 4yrs



TITANIC

637 4/8 IOA 59 pts @ 4yrs



DAMASCUS

590 7/8 IOA @ 3yrs

ALSO FEATURING NEW 2YR SIRES ON THE BACK COVER
PLUS PURDEY, BOMBAY SAPPHIRE, FERDINAND, UTAH, LORD HAKA, ZAMBUKA,
TURBO, CLEOMENES, BEAUDEN, HENNESSEY, TRUMAN AND CANE

Conditions of Sale

DNA Identification

All Foveran master sires and our entire stud female breeding herd have now been DNA profiled (for confidence in the accuracy as to our breeding). All stock sold are DNA guaranteed.

Insurance

Insurance is the responsibility of the purchaser and any stock left on Foveran is strictly at the purchaser's risk.

Vetted In-Calf Hinds

All adult hinds have been ultrasound pregnancy tested using a real time ultrasound scanner. Only confirmed pregnant hinds have been included in the sale. All testing was carried out by Dr Noel Beatson and our vet Amy Watts.

TB Status

Our herd status continues to be a C10 classification.

Conditions of Sale

The sale will be conducted by Rural Livestock Ltd with the conditions of sale as set down by the New Zealand Stock and Stations Agents Association.

Each lot becomes the purchaser's property and risk at the fall of the hammer.

Warranties and insurance are covered under separate headings.



Conditions of Sale cont./ Guarantee

Terms are strictly cash unless prior arrangements are made with the auctioneers. Accounts not paid within 14 days of sale shall bear interest, at current rate per annum from the date of sale.

The sale is conducted exclusive of GST.

A buyers commission of 5% is payable to non-participating companies and recognised independent agents introducing and accompanying purchasers to the sale providing prior arrangements [no later than 24hrs prior to sale] are made with Rural Livestock Ltd.

Intending purchasers are required to register with the auctioneers prior to the commencement of the sale.

No animals, embryos or semen sold by Foveran Deer Park or their germplasm or any subsequent progeny or germplasm, including the semen and germplasm of that progeny, may be supplied to a third party without the written permission of the respective stud.

This condition does not affect normal commercial deer farming or stud farming or the normal sales of semen or embryos as it only applies to entities with the primary function of commercial semen/germplasm activities.

It is a condition of sale of any animals, embryos, germplasm or semen sold by Foveran Deer Park that the purchaser agrees to include the following clause as a condition of any subsequent sale or gift of any animal, embryo, semen, germplasm or subsequent progeny or germplasm to a third party—"the purchaser acknowledges that it will not supply any animals, embryos, semen or germplasm to any commercial semen/germplasm marketing or sales entity, and will ensure that this clause is inserted as a condition of any sale or gift of any animals, embryos, semen or germplasm."



Foreword

Dear Clients and Friends,

We have had a busy year here at the stud introducing many new genetics from some of the industry's up and coming sires. We have chosen a selection of some of these genetics to include in this sale. We have tried to concentrate our efforts on tidy stylish antlers that have the wow factor while still promoting trophy score. The emphasis has been on front tynes, width, weight of antler, and stylish tops that score well or have the potential to at maturity.

You will see from the offering we have used Bombay Sapphire, Ferdinand (the \$80,000 3yr old sold by Black Forest to John Scurr), Utah (stag sold privately by Todd Crowley to Gary Herbert this year), Truman (Lot 3 at Crowleys stag sale sold to Matt Ross), and Purdey who needs no introduction.

In addition, we have continued to include some tried and true favourites including Cane, Lord Haka, Beauden, Cleomenes, Turbo, as well as our own up and coming rising stars that we have on farm.

Please note that the embryos come with a guarantee of a live fawn on the ground. All hinds have been vetted in calf using an ultra sound scanner by our vet Dr Amy Watts.

It is also worth remembering that all of these stag genetics only work so well for us due to our hind base. We continue to invest in hinds as well as stag genetics to continue to improve our breeding program. The value in sourcing top female genetics cannot be underestimated and the investment you make in these genetics on offer will pay dividends for some time to come in your herd.

Lastly I'd like to thank you for perusing our catalogue and to those purchasers and under bidders who participate in this sale.

We wish you all the best with your purchases and we look forward to any feedback that you may wish to share with us.

Kind regards,



Barry Gard,

Deer Stud Manager, Foveran Deer Park



Mission Statement

Our motto **Breeding the difference**

a term that best describes our intention for our deer stud at Foveran.

By continuing our intensive breeding programme in what we believe is the largest red deer stud in New Zealand, it is our intention to supply the NZ deer industry with the very best genetics for venison growth rates, velvet production, and also our fast growing high end trophy antler stags.

DBVs Venison growth rates. We continue to develop this major trait within our deer herd, with encouraging results. Our German herd for example, with Master sires such as Amadeus, Bonn, Wredeson Major & Red Baron leading the way, and some of our weaners at weaning in February topping out at 90kg. Yearling spikers to 155kg and 2 year olds to 253kg.

Velvet By identifying specific lines of deer for velvet production, we are constantly improving the performance per animal to improve not only the production levels per animal but also the components of velvet conformation. As a result our velvet herd continues to grow with fast improving results.

Trophy The fastest growing component of our deer industry at present. Foveran's commitment is to supply for ourselves high end trophies, but also to supply elite trophy genetics to the deer farming community. The continued improvement of our trophy herd is rewarding us with some massive red deer trophy antler heads with long tined heavy wide "wow" type configurations. Our German herd strategically crossed with European and English genetics has given us the opportunity to do that.

Temperament We continually manage and evaluate the herd for this important trait.



bidr[®] is here.

Trade Livestock Like Never Before

Buy and Sell livestock on bidr[®] through an accredited bidr[®] agency.

Buy and Sell livestock on bidr[®] in 3 easy steps:

1

Sign up at www.bidr.co.nz and add your accredited livestock company Trade Account Details

2

Browse auctions to find livestock you are interested in buying

3

Login and register for the real time online auction to bid for the livestock you wish to purchase



Real time auctions, bid on livestock from anywhere.



All livestock listed by livestock agents and assessed by accredited assessors.



Nationwide Reach. Bringing more buyers and sellers together, Virtually.



Buy livestock straight from farm resulting in less stress on animals and positive environmental benefits.



Full livestock assessment information for buyers and nationwide reach for sellers.

Contact your bidr[®] Representative to sign up at www.bidr.co.nz

  fb.com/bidrnz
instagram.com/bidrnz

Schedule of Master Sires



Cane

5yr son of McCaw

Cane



**BIGGER THAN HIS SIRE
McCaw AT THE SAME AGE**

McCaw
2nd Nat 3yr HA
Comp
692 IOA @ 7yrs
20.37g HA

Odysseus
702 IOA
Sire of Mentor &
Houghton

Chancellor Peel
HA 17.3kg

CAN 142/01

DGZ 229/90

Harvey
SA2 11.59kg @ 9yrs

WDM 179/00

Huneric
Nat 2yr HA Champ
2009. 588 IOA

Brusnik
IOA 520 @ 6yrs

DGZ 198-01

**FOV
8244/08**

Jamieson
HA 12kg IOA 573

FOV 6585/06

FOV 2471/12

Cane

Age	Antler	IOA
2	HA 11.78kg	504 5/8 IOA
3	HA 15.5kg	641 IOA
4	HA 22.14kg	751 IOA
5		841 IOA

COMMENT: Cane has been bred here at Foveran. A son of the very heritable McCaw who has produced us so many top stags in previous sales. At 504 5/8 IOA, Cane was placed 4th in the National 2yr HA Competition. As a 3yr old he was placed 3rd in the 3yr section. As a 4 yr old he was placed 2nd in the 4yr section of the Rising Stars at 751 IOA. He was also placed 2nd in the National HA Competition. His mass of antler is impressive.

Robert Hay

4 yr son of Apex



Robert Hay

SCAN TO WATCH VIDEO



Robert Hay

Apex
708 IOA @ 5yrs
2nd NI HA Comp

Nixon
885 IOA @ 7yrs
Sire of Bandit

Brusnik
IOA 520 @ 6yrs

CRW 7003/07

TOW 6010/06

Achilles
IOA 618

CRW 595/05

FOV 4237/14
120kg

Davidson
Sire of Hunter
751 IOA

Harley

BLT 162/01

FOV 2554/12

Morpheus
Nat 3yr HA Champ

FOV 254/10

Age	Antler	IOA
1	34 pts	341 7/8 (without burrs and spread)
2	43 pts	448
3	57pts 17.21kg HA	664
4	60 pts	713

COMMENT: We first used Robert Hay as a spiker to mate yearling hinds along with 2 other ET brothers who were also multi point spikers giving us the confidence that these genetics will be heritable. What a difference a year makes. From 448 IOA as a 2 yr old to 664 IOA at 3 yrs. Robert Hay has a solid frame and is going to be a big bodied stag at maturity. We recommend his progeny.

Mordecai

4yr son of Rigby

Mordecai



SCAN TO WATCH VIDEO



Mordecai

Rigby
860 IOA @ 5yrs
Nat 3yr HA Champ

CAN 9/12
124kg

Leon
929 5/8 SCI

TOW 81/00

Davidson
Sire of Hunter
751 IOA

CAN 34/05

Chancellor Peel
HA 17.3kg

ROK 504/05

Moccona
560 IOA @ 6yrs

TOW 504/05

Harley

BLT 162/01

B 42

CAN 124/00

Age	Antler	IOA
1	40 pts	328 1/8 (without burrs and spread)
2	HA 10.88kg	516
3	44 pts 15.1kg HA	604
4	44 pts 24.59kg HA	681 4/8

COMMENT: Mordecai was first used as a 40 point spiker over yearling hinds and since then has been a part of our breeding program. His full ET brother 7190 was sold as lot 8 in this years sire stag sale and so we know these genetics are heritable. Mordecai has an impressive 39 inch main beam at just 3 yrs and we can only imagine this will further improve with age.

Titanic

4yr son of Kallis



Titanic

SCAN TO WATCH VIDEO



Titanic

Kallis
575 IOA @ 4yrs
28kg HA 44pts

FOV 3291/13
120kg

Te Anau Gold

PTS 315/10

McCaw
2nd Nat 3yr, HA Comp
692 IOA @ 7yrs
Sire of Cane

FOV 124/10

Doug

PTS 444/06

PTS 7226/07

PTS 5247/05

Odysseus
702 IOA

CAN 142/01

Huneric
Nat 2yr HA Champ 2009

TOW 8023/08

Age	Antler	IOA
2	47 pts	455
3	59 pts 17.61kg HA	594
4	59 pts	637 4/8

COMMENT: Titanic has a super wide antler structure that we have come to expect from our Kallis sons. We had an electrical storm on farm just as his velvet was about 50mm long and his right hand side was damaged. Rather than removing it we left him to grow out. It wasn't until we removed his antler that we were able to see that it doesn't look like his pedicle is damaged. If we doubled his good side antler score he would have scored 714 IOA and so we expect an impressive score from him next year.

Damascus

3yr son of Munro

Damascus



SCAN TO WATCH VIDEO



Damascus

Munro
705 IOA @ 6yrs

FOV 4131/14
110kg

Fig Jam
826 IOA

TOW 885/08

Faulty Towers
558 IOA @ 4yrs

CAN 9198/09

Warlord
IOA 573 @ 5yrs

TOW 442/04

Discombe
595 IOA

TOW 2011/02

Pegasus
5yr 276kg HA 12.5kg

TOW 385/03

Odysseus
702 IOA

CAN 53/00

Age	Antler	IOA
2	50 pts, 10.99kg HA	466
3	44pts	590 4/8

COMMENT: Damascus was impressive as a 2yr old and we kept him to continue the legacy of Munro in our herd. He continues to impress with over 120 inch improvement in his score this year. His antler structure scores more than Munro at the same age and so we expect he will mature into an impressive sire.

Barrett

2yr son of Cane



Barrett

SCAN TO
WATCH VIDEO



Cane
841 IOA @ 5yrs
HA 22.14kg

McCaw
2nd Nat 3yr HA
Comp
692 IOA @ 7yrs
20.37g HA

Odysseus
702 IOA

CAN 142/01

FOV 2471/12

Huneric
Nat 2yr HA Champ 2009

FOV 8244/08

Barrett

FOV 1257/11
123kg

Image
15.1kg Supreme
@ 6yrs
IOA 551

Mighty 5
Pure SW German

LEE 61/00

FOV 7707/07

Amadeus
322kg HA 16.1kg

FOV 5585/05

Age	Antler	IOA
2	35 pts 11.78kg HA	441

COMMENT: Barrett impressed us with his stylish 2 year old head which has plenty of width with great front tynes. We have used him this year over 25 hinds for the first time and are excited to offer his future progeny in this sale. As a son of Cane we know he will be impressive at maturity.

Benjamin

2yr son of Robert Hay

Benjamin



Benjamin

Robert Hay
713 IOA @ 4yrs
60 pts HA 17.21kg

Apex
708 IOA @ 5 yrs

Nixon
885 IOA @ 7yrs

CRW 7003/07

FOV 4237/14

Davidson
751 IOA

FOV 2554/12

FOV 7361/17

Rigby
900+ IOA
Nat 3 yr HA Champ

Leon
929 5/8 IOA

TOW 81/00

FOV 9218/09

Adonis
Former SCI #1
World Record

PDS 144/04

Age	Antler	IOA
2	40 pts 9.79kg	416 4/8

COMMENT: We couldn't resist using this impressive Robert Hay son over our first calving hinds this year. His antler style is similar to that of Robert Hay and we picked him for that rather than his score. However, we expect that he will follow in his fathers footsteps and put on impressive scoring increments each year and so watch this space! We are expecting an impressive sire stag at maturity.

Zambuka

4yr son of Phantasos. Owned by Malcolm Cane



Zambuka

Zambuka

Phantasos
669 IOA @ 4yrs

Morpheus
Nat 3yr HA Champ
5yr 662 IOA

Scipio
IOA 500+ @ 4yrs

DGZ 97/04

DGZ 5124/05

Odysseus
702 IOA

DGZ 3013/03

DGZ 1393/11

Huneric
Nat 2yr HA
Champ 2009
588 IOA

Brusnik
IOA 520 @ 6yrs

DGZ 198/01

DGZ 9208/09

Odysseus
702 IOA

DGZ 203/00

Age	Antler	IOA
3		700
4		758

COMMENT: Zambuka is no longer with us and so there is no more semen available. The offering in this sale therefore represents a rare opportunity to secure these genetics. From what we know Zambuka has sired some impressive progeny and so we can recommend the lots on offer by him in this catalogue.

Apex

5yr son of Nixon. Owned by Malcolm Cane

Apex



Apex

Nixon
885 IOA @ 7yrs
Sire of Orlando

Brusnik
IOA 520 @ 6yrs
Sire of Huneric & Zidarn

Lazlo
SA2 8.84kg

Lora

TOW 06/6010

Lancaster

TOW 1003/01

CRW 07/7003

Achilles
IOA 618

Major Peel
7yr SA2 11.61kg

PFE 98/288

CRW 05/595

Jethrow

00/218

Age	Antler	IOA
3		520
4		657
5		708

COMMENT: Apex is a stand out son of Nixon. As you can see by his photo and score he is an impressive sire. Sire of Robert Hay. Now at 713 IOA at just 4yrs.

Price: _____
Purchaser: _____



Purdey

Purdey
930 IOA @ 6yrs

FOV 1074/21

Lord Haka
201kg HA 13.5kg @
2yrs
721 IOA @ 5yrs
Sire of Purdey

Windsor
4yr 266kg HA
14.4kg
608 IOA

Warlord
IOA 573 @ 5yrs

TOW 4/04

FOV 6277/06
122kg

Salvador
605 IOA

PDS 203/04

MTC 4/06

Kane
603 IOA
Full brother to
Hector

Harvey
SA2 11.59kg
@ 9yrs

WOB 179/80

MTC 86/04

Brusnik
IOA 520 @ 6yrs

OR 403/94

FOV 9010/19

Cane
841 IOA @ 5yrs
HA 22.14kg
Sire of Barrett

McCaw
2nd Nat 3yr HA
Champ
692 IOA @ 7yrs
20.37kg HA

Odysseus
702 IOA

CAN 142/01

FOV 2471/12

Huneric
Nat 2yr HA Champ

FOV 8244/08



Cane

FOV 2125/12
108kg

Amadeus
322kg HA 16.1kg
IOA 634

Myson
HA 17kg 312kg

FOV 500/92

FOV 8180/08
117kg

Brusnik
IOA 520 @ 6yrs

FOV 6346/06

Weaning Wt: 58kg 21/02/22 Recent Wt: 71kg 10/05/22 Sale Day Wt:

Comment: Purdey over Cane must surely create spectacular antler genetics. Have we sown the seeds for a new world record trophy score? Helped along with highly heritable sires throughout the pedigree. It is not often these days that we offer stags for sale under 3 years of age and so this is a real opportunity to secure these genetics early. A top shelf pedigree and so he comes with a reserve.

Embryos



Lot 2: Pure Bombay Sapphire Embryo Recip tag 5108

2

P 19

STAR LOT

Price: _____
Purchaser: _____



Bombay Sapphire

Progeny of
FOV 242/20

Bombay Sapphire
843 IOA
83pts @ 2yrs

FOV 242/20
107kg

Zambuka
758 IOA @ 4yrs

Phantasos
669 IOA @ 4yrs

Morpheus
Nat 3yr HA Champ

DGZ 5124/05

DGZ 1393/11

Huneric
Nat 2yr HA Champ

DGZ 9208/09

CAN 469/14
Utah's dam

Lincoln
611 IOA @ 4yrs

Hansen
583 IOA @ 4yrs

ROK 52/03

CAN 101/10

Harry
IOA 552 @6yrs

CAN 78/03

Cane
841 IOA @ 5yrs
Sire of Barrett

McCaw
2nd Nat 3yr HA
Comp
692 IOA @ 7yrs

Odysseus
702 IOA

CAN 142/01

FOV 2471/12

Huneric
Nat 2yr HA Champ

FOV 8244/08

BFP 472/18
109kg

Cosmos
551 IOA @ 6yrs

Salvador
605 IOA

BFP 499/04

BFP 548/11

Columbia
550 IOA @ 6yrs

BFP 703/05



Cane

Comment: Looking at this pedigree you can't help but see the "wow" factor. Bombay Sapphire must surely hold the industry record for 2yr antler score. Malcolm reports that all his best spikers are Bombay Sapphire's. Dam sire Cane's antler structure has huge dimensions for both main beam length and span. Don't ignore the Black Forest genetics on the bottom line to further enhance the overall antler dimensions. We highly recommend this pedigree.

**Lot 3: Pure Ferdinand Embryo
Recip tag 7118**

Price: _____

Purchaser: _____



Ferdinand
Better than Alonso
at the same age

Alonso
934 IOA

Harrison

Starr
585 IOA @ 8yrs

BFP 550/03

BFP 166/12

Columbia
550 IOA @ 6yrs

BFP 11/06

BFP 299/15

Columbia
550 IOA @ 6yrs

Waipori

BFP 8/00

BFP 1/10

Progeny of
CRW 7123/17

CRW 7123/17
129kg

Nixon
885 IOA @ 7yrs
Sire of Bandit &
Turbo

Brusnik
IOA 520 @ 6yrs
Sire of Huneric

Laszlo
SA2 8.48kg

TOW 8078/85

TOW 6010/06

Lancaster

TOW 1003/01

CRW 822/08

Adonis
Former SCI # 1
World Champ

Terminator
HA 8.6kg

PDS 1/92

CRW 502/05

Achilles
IOA 618

CRW 3007/0



Nixon

Comment: We considered Ferdinand one of the best 3yr old stags on offer at this year's stag sales and worth every penny of his \$80,000 price tag. When offered semen we couldn't turn it down. Its worth noting that Alonso has been scored at 934 IOA and Richard Currie informs us that Ferdinand is bigger than Alonso was at the same age. A fitting match to high scoring Nixon we thought. This young hind must surely be a member of trophy royalty.

Lot 4: Pure Utah Embryo Recip tag 4021

4

P 21

Price: _____
Purchaser: _____



Utah
755 IOA @ 5yrs

Progeny of
FOV 7281/17

FOV 7281/17
109kg



Origin
678 IOA @ 5yrs
Sire of Texas

CAN 469/14
Bombay Sapphire's
dam

Rigby
900+ IOA

FOV 2158/12
106kg

Robbie
550 IOA
54pts @ 4yrs

FOV 8059/08
Full sister to
Prince Philip

Lincoln
611 IOA @ 4yrs

CAN 101/10

Leon
929 5/8 IOA

TOW 81/00

Amadeus
322kg HA 16.1kg
IOA 634

FOV 9158/09
Full sister to
Lord Haka

Banks
IOA 423 @ 4yrs

LDD 440/01

Mountbatten
270kg HA 14.37kg

PDS 18/01

Hansen
583 IOA @ 4yrs

ROK 52/03

Harry
IOA 552 @6yrs

CAN 78/03

Chancellor Peel
HA 17.3kg

ROK 504/05

Moccona
560 IOA @ 6yrs

TOW 504/05

Myson
HA 17kg 312kg

FOV 500/92
146kg

Windsor
4yr 266kg HA 14.4kg

FOV 6277/06

Comment: Utah is more new genetics for us to offer. Purchased by Gary Herbert this year from the Crowley stable we were impressed with his overall antler structure. Very heavy and with good front tynes and tops to pass on to future progeny. Dam sire Rigby at over 900 will further enhance the trophy score and we know he is heritable being the sire of Mordecai. Just imagine if this is a stag fawn.

**Lot 5: Pure Cane Embryo
Recip tag 4334**

Price: _____
Purchaser: _____



Cane
841 IOA @ 5yrs
HA 22.14kg
Sire of Barrett

Progeny of
TOW 6194/16

TOW 6194/16
103kg



McCaw
2nd Nat 3yr HA
Comp
692 IOA @
7yrs 20.37 HA

FOV 2471/12

Fig Jam
826 IOA
Sire of Munro &
Beauden

TOW 4228/14

Odysseus
702 IOA
Sire of Mentor

CAN 142/01

Huneric
Nat 2yr HA Champ
588 IOA

FOV 8244/08

Warlord
IOA 573 @ 5yrs
HA 16.36kg
@ 4yrs

TOW 442/04

Tarentino
756 IOA SCI

TOW 7017/07

Chancellor Peel
HA 17.3kg

DGZ 229/90

Harvey
SA2 11.59kg @ 9yrs

WDM 179/00

Brusnik
IOA 520 @ 6yrs

DGZ 198/01

Jamieson
HA 12kg IOA 573

FOV 6585/06

Adonis
Former SCI #1
World Champ

TOW 213/00

King
67" Spread

TOW 7/00

Amadeus
322kg HA 16.1kg

TOW 325/03

River Dance
56" spread @ 3yrs

TOW 561/05

Comment: We had to include Cane in this impressive line of embryos. Judging by what we have seen from his 2yr sons this year; they are impressive and we expect to offer some in next years stag sale as 3yr olds. Remember too that Figjam is the sire of Munro and Tarentino is one of many impressive sons of Amadeus. Exceptional heritability in this embryo pedigree.

Lot 6: Pure Lord Haka Embryo Recip tag 4060

6

P 23

Price: _____
Purchaser: _____



Lord Haka

Progeny of

CAN 102/16

Lord Haka
201kg HA 13.5kg
@ 2yrs
721 IOA @ 5yrs
Sire of Purdey

Windsor
4yr 266kg
HA 14.4kg
608 IOA

FOV 6277/06
114kg

Warlord
IOA 573 @ 5yrs
HA 16.36kg @ 4yrs

TOW 4/04

Adonis
Former SCI #1
World Champ

TOW 213/00

Awesome
IOA 520 @ 4yrs
TOW 806/98

Chancellor Peel
HA 17.3kg

BFP 596/96

Mr Peel
IOA 484

PDS 31/97

Salvador
605 IOA
2yr HA Champ

PDS 203/04

Jamieson
HA 12kg IOA 573

FRZ 4324/80

Motdonis
HA 22.45kg @ 5yrs

TOW 279/02

Mr Peel
IOA 484
Full brother to
Chancellor Peel

TOW 332/03

Matthew
730 IOA
Sire of Adidas

CAN 57/07

Kane
603 IOA
Full brother to
Hector

CAN 57/04

Harvey
SA2 11.59kg @ 9yrs

WOB 179/80

Viagra

CAN 163/00



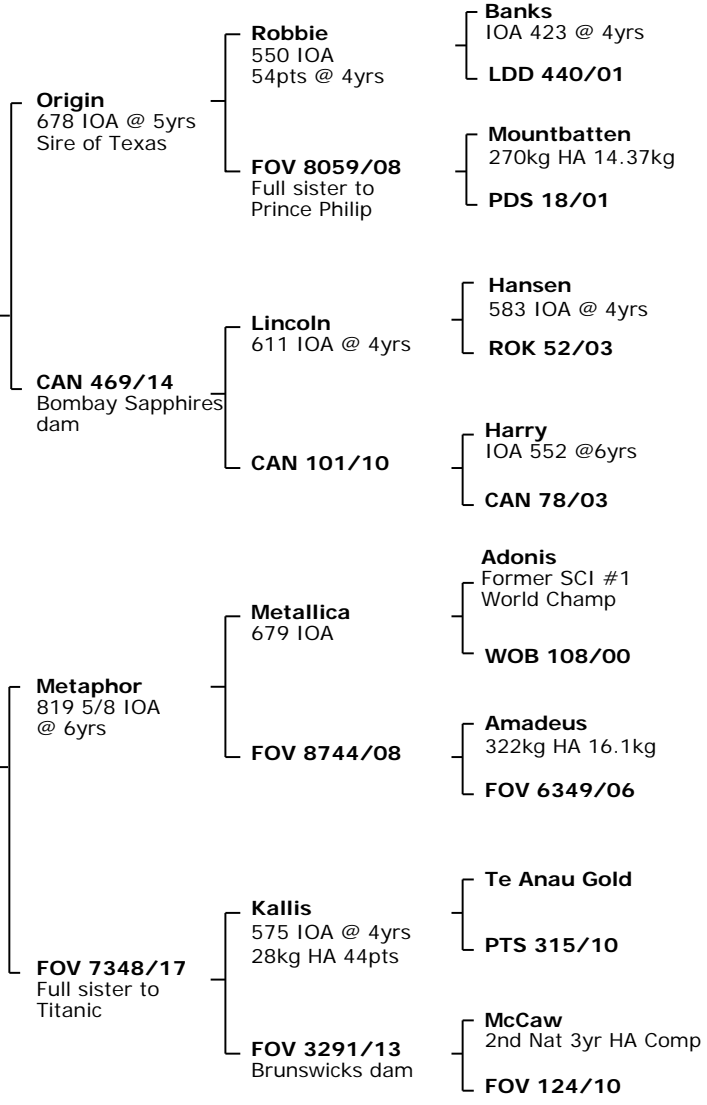
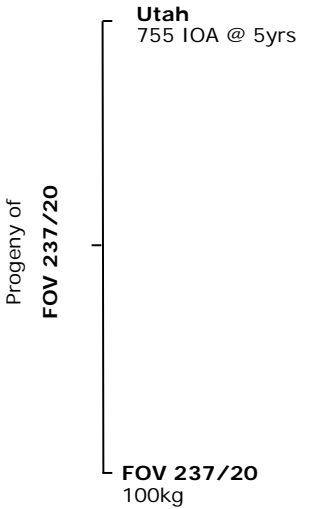
Matthew

CAN 102/16
100kg

Comment: Sire Lord Haka is also the sire of Purdey and dam sire Matthew is the sire of Adidas who was 635 IOA at just 3yrs. An extremely heritable mix here for top scoring trophy antler. Just imagine if this is a stag fawn.

**Lot 7: Pure Utah Embryo
Recip tag 4160**

Price: _____
Purchaser: _____



Comment: Utah was purchased by Gary Herbert from Crowley deer. We were impressed by his beam thickness and overall antler dimensions. Dam sire Metaphor is an impressive 819 5/8 and achieved world record status at just 6 years of age. Note too Kallis, sire of Titanic and Iconic on the bottom line.

Lot 8: Pure Beauden Embryo Recip tag 7174

8

P 25

Price: _____

Purchaser: _____



Beauden
694 SCI
29.4kg HH

Fig Jam
826 IOA
Sire of Munro

Warlord
IOA 573 @ 5yrs
HA 16.36kg
@ 4yrs

Adonis
Former SCI #1
World Champ

TOW 213/00

TOW 442/04

King
67" Spread

TOW 7/00

TOW 9143/09

Zidarn
653 IOA
Nat HA Champ

Brusnik
IOA 520 @ 6yrs

TOW 918/99

TOW 727/07

Awesome
IOA 520 @ 4yrs

TOW 289/03

Progeny of
FOV 9331/19

FOV 9331/19

Robert Hay
713 IOA @ 4yrs
60 points
Sire of Benjamin

Apex
708 IOA @ 5yrs

Nixon
885 IOA @ 7yrs

CRW 7003/07

FOV 4237/14

Davidson
751 IOA

FOV 2554/12



FOV 7233/17

Infinity
640 IOA @ 7yrs

William John
285kg HA 19.2kg

FOV 3996/03

FOV 1387/11

Henry VIII
HA 18.6kg IOA 619

FOV 6354/06

Comment: If you want stylish antler then this is the pedigree for you. With Beauden as the sire and Robert Hay as the dam sire. Robert Hay is also the sire of our new 2yr old Benjamin. Both stags antler structure has the "wow" factor.

**Lot 9: Pure Cleveland Embryo
Recip tag 7384**

Price: _____
Purchaser: _____



Cleveland
484 5/8 @ 3yrs,
271kg

Progeny of

FOV 9100/19

FOV 9100/19
100kg



Rockafella
682 IOA @ 5yrs
Peoples Choice
HH 2017 & 2018

CRW 254/12

Lincoln
611 IOA @ 4yrs

CRW 817/08

Hansen
583 IOA @ 4yrs

ROK 52/03

Salvador
605 IOA

CRW 503/05

Caviar
35pts @ 2yrs

CRW 1023/10

Coco
557 IOA

CRW 706/07

Mr Peel
IOA 484

CRW 842/08

Fig Jam
826 IOA
Sire of Beauden

TOW 885/08

Warlord
IOA 573 @ 5yrs

TOW 442/04

Munro
705 IOA @ 6yrs
Sire of Damascus

Discombe
595 IOA

TOW 2011/02

FOV 9130/09
129kg

Mountbatten
270kg
HA 14.37kg
IOA 531

FOV 7107/07

Duncan
Pure Warnham

WNP 700/98

Sovereign
47pts & IOA 574

FOV 5260/05

Comment: We have included Cleveland in our ET program as we like his clean antler style. Strong front tynes with great tops and style from the Rockafella stable. Dam sire Munro died before reaching his full potential but Fig Jam's influence was very evident in his antler structure. Mountbatten had an extremely stylish Warnham antler well suited to this mix.

Lot 10: Pure Cleomenes Embryo Recip tag 4286

10

P 27

Price: _____
Purchaser: _____



Cleomenes
655 IOA @ 7yrs,
21.8kg HA,
People's Choice
2019

Progeny of
FOV 371/20

FOV 371/20
100kg



Hilderic
555 IOA @ 4yrs
44 points

DGZ 9308/09

Munro
705 IOA @ 6yrs
Sire of Damascus

FOV 152/10
132kg

Huneric
Nat 2yr HA
Champ
588 IOA

DGZ 6161/06

Morpheus
Nat 3yr HA Champ
5yr 662 IOA

DGZ 7222/07

Fig Jam
826 IOA
Sire of Beauden

TOW 885/08

Metallica
679 IOA
Sire of Metaphor

FOV 8185/08

Brusnik
IOA 520 @ 6yrs

DGZ 198/01

Scipio
IOA 500+ @ 4yrs

DGZ 3013/03

Scipio
IOA 500+ @ 4yrs

DGZ 97/04

Scipio
IOA 500+ @ 4yrs

DGZ 146/00

Warlord
IOA 573 @ 5yrs

TOW 442/04

Discombe
595 IOA

TOW 2011/02

Adonis
Former SCI # 1
World Champ

WOB 108/00

Amadeus
322kg HA 16.1kg

FOV 5040/05

Comment: Cleomenes brings the very heritable Huneric/ Brusnik combination to this mix. Chosen for his stylish antler structure as well we are confident of the progeny from this mix. Dam sire Munro was lost before he reached his full potential but we are lucky to have Damascus to carry on these top genetics. Note too Metallica (sire of world record Metaphor) on the bottom line to further enhance the heritability factor of this mix.

Yearling Hinds



Price: _____
Purchaser: _____



Zambuka
758 IOA @ 4yrs
Sire of Sapphire
(843 IOA @ 2yrs)

FOV 1134/21

Phantasos
669 IOA @ 4yrs

Morpheus
Nat 3yr HA
Champ
5yr 662 IOA

Scipio
IOA 500+ @ 4yrs

DGZ 97/04

DGZ 5124/05

Odysseus
702 IOA

DGZ 3013/03

DGZ 1393/11

Huneric
Nat 2yr HA
Champ 2009
588 IOA

Brusnik
IOA 520 @ 6yrs

DGZ 198/01

DGZ 9208/09

Odysseus
702 IOA

DGZ 203/00

FOV 5293/15
113kg

Lord Haka
201kg HA 13.5kg
@ 2yrs
721 IOA @ 5yrs
Sire of Purdey

Windsor
4yr 266kg
HA 14.4kg
608 IOA

Warlord
IOA 573 @ 5yrs

TOW 4/04

FOV 6277/06
122kg

Salvador
605 IOA

PDS 203/04



DGZ 332/10
115kg

Morpheus
Nat 3yr HA Champ
5yr 662 IOA
Sire of Phantasos

Scipio
IOA 500+ @ 4yrs

DGZ 97/04

DGZ 3004/03

Chancellor Peel
HA 17.3kg

DGZ 237/96

Weaning Wt: 43kg 21/02/22 Recent Wt: 60kg 10/05/22 Sale Day Wt:

Comment: Sire Zambuka is the sire of Bombay Sapphire who surely must hold the industry record for 2yr antler score at 843 IOA at just 2 years. Now deceased and with no more semen available, this is a rare opportunity to secure these genetics. Dam sire Lord Haka is the sire of Purdey (930 IOA @ 6yrs). Could the potency of the heritability factor be any stronger? We consider this a star lot.

Lot 12: Tag 1192
Rising 1yr daughter of Cane

Price: _____
Purchaser: _____



Cane
841 IOA @ 5yrs
HA 22.14kg
Sire of Barrett

FOV 1192/21

McCaw
2nd Nat 3yr HA
Comp
692 IOA @ 7yrs
20.37kg HA

FOV 2471/12

Odysseus
702 IOA
Sire of Mentor &
Houghton

CAN 142/01

Chancellor Peel
HA 17.3kg

DGZ 229/90

Harvey
SA2 11.59kg
@ 9yrs

WDM 179/00

Huneric
Nat 2yr HA
Champ 2009
588 IOA

FOV 8244/08

Brusnik
IOA 520 @ 6yrs

DGZ 198/01

Jamieson
HA 12kg IOA 573

FOV 6585/06

Brusnik
IOA 520 @ 6yrs
Sire of Huneric

DGZ 700/04

Laszlo
SA2 8.48kg

TOW 8078/85

Adonis
Former SCI #1
World Record

DGZ 45/09

FOV 9258/19

Brusnik
710 IOA @ 10yrs
Sire of Brunswick

FOV 7348/17
Full sister to
Titanic

Kallis
575 IOA @ 4yrs

FOV 3291/13
120kg

Te Anau Gold

PTS 315/10

McCaw
692 IOA @ 7yrs

FOV 124/10



Brusnik

Weaning Wt: 49kg 21/02/22 Recent Wt: 64kg 10/05/22 Sale Day Wt:

Comment: Sire of Cane at 841 IOA at just 5 years is shaping up to being one of our industry greats. He has produced many top sons for us including Barrett, a new 2yr sire featured in this catalogue. We expect to have an outstanding offering of Cane 3yr olds in our next stag sale. Dam sire Brusnik has been matched to a full sister of Titanic to combine two wow factor antler styles which must surely be complimented by Cane's also. Proven genetics throughout this pedigree.

Price: _____
 Purchaser: _____



Zambuka

Zambuka
 758 IOA @ 4yrs
 Sire of Sapphire
 (843 IOA @ 2yrs)

FOV 1173/21

Phantasos
 669 IOA @ 4yrs

Morpheus
 Nat 3yr HA
 Champ
 5yr 662 IOA

Scipio
 IOA 500+ @ 4yrs
DGZ 97/04

DGZ 5124/05

Odysseus
 702 IOA
DGZ 3013/03

DGZ 1393/11

Huneric
 Nat 2yr HA
 Champ 2009
 588 IOA

Brusnik
 IOA 520 @ 6yrs
DGZ 198/01

DGZ 9208/09

Odysseus
 702 IOA
DGZ 203/00

FOV 3291/13
 120kg
 Titanics Dam



McCaw

McCaw
 2nd Nat 3yr HA
 Comp
 692 IOA @ 7yrs
 20.37kg HA
 Sire of Cane

Odysseus
 702 IOA

Chancellor Peel
 HA 17.3kg
DGZ 229/90

CAN 142/01

Harvey
 SA2 11.59kg
 @ 9yrs
WDM 179/00

FOV 124/10
 111kg

Huneric
 Nat 2yr HA
 Champ 2009

Brusnik
 IOA 529 @ 6yrs
DGZ 198/01

TOW 8023/08
 124kg

Holy Oak
 652 IOA
TOW 588/05

Weaning Wt: 46kg 21/02/22 Recent Wt: 60kg 10/05/22 Sale Day Wt:

Comment: Sire Zambuka is also the sire of Bombay Sapphire who must surely hold the industry record for 2yr antler score at 843 IOA. Now deceased and with no more semen available, this is a rare opportunity to secure these genetics. Note dam 3291 is also the dam of Titanic and Brunswick. Highly heritable genetics here in this young hind. She comes highly recommended and we would consider this a star lot.

Lot 14: Tag 1119
Rising 1yr daughter of Hennessey

Price: _____
 Purchaser: _____



Hennessey

Hennessey
 638 IOA @ 3yrs

FOV 1119/21

Roman
 626 IOA @ 5yrs

CRW 491/14

Brusnik
 710 IOA @ 10yrs
 Sire of Brunswick

FOV 9233/19



Brusnik

FOV 285/10
 134kg

Achilles
 IOA 618

CRW 1006/10

Nixon
 885 IOA @ 7yrs
 Sire of Apex &
 Turbo

CRW 233/12

Brusnik
 IOA 520 @ 6yrs
 Sire of Huneric

DGZ 700/04

Huneric
 Nat 2yr HA
 Champ 2009
 588 IOA

TOW 8023/08
 124kg

Major Peel
 7yr SA2 11.61kg

PFE 288/98

Coco
 557 IOA

CRW 706/07

Brusnik
 IOA 520 @ 6yrs

TOW 6010/06

Achilles
 IOA 618

CRW 919/09

Laszlo
 SA2 8.48kg

TOW 8078/85

Adonis
 Former SCI #1
 World Record

DGZ 45/09

Brusnik
 IOA 520 @ 6yrs

DGZ 198/01

Holy Oak
 652 IOA

TOW 588/05

Weaning Wt: 45kg 21/02/22 Recent Wt: 62kg 10/05/22 Sale Day Wt:

Comment: If you are looking for antler genetics with the "wow" factor, then this young hind is well worth considering. Sire Hennessey has big long front tynes and heavy multi tops. A great match for the antler structure of Brusnik. An exceptional trophy pedigree featuring a number of very heritable sires in Nixon (sire of Apex and Turbo), Huneric (dam sire of Cane) Brusnik (sire of Nixon and Brusnik) and Adonis (sire of Metallica and Warlord).

Lot 15: Tag 1210 Rising 1yr daughter of Turbo

15

P 33

Price: _____
Purchaser: _____



Turbo
800+ IOA @ 5yrs

FOV 1210/21

Nixon
885 IOA @ 7yrs
Sire of Apex

Brusnik
IOA 520 @ 6yrs

Laszlo
SA2 8.48kg

TOW 6010/06

Lancaster

TOW 1003/01

Achilles
618 5/8 SCI

Terminator

Leanna

Pink 52

Adonis
Former SCI #1
World Record
ROK 239/95

ROK 504/05
Leon's dam

Chancellor Peel
HA 17.3kg

DGZ 229/90

Odysseus
702 IOA

CAN 142/01

Harvey
SA2 11.59kg
@ 9yrs

WDM 179/00

FOV 3283/13
117kg
Phoenix's dam

McCaw
2nd Nat 3yr HA
Comp
692 IOA @ 7yrs
20.37kg HA
Sire of Cane

Brusnik
IOA 520 @ 6yrs

Laszlo
SA2 8.48kg

TOW 8078/85

TOW402/04

Baron

TOW 200/02



TOW 262/02
116kg

Weaning Wt: 43g 21/02/22 Recent Wt: 60kg 10/05/22 Sale Day Wt:

Comment: Sire Turbo is over 800 IOA at just 5 years. He shares his sire Nixon with Apex and so we know this line is heritable. Turbo has big long front tynes and massive high scoring tops. Dam 3283 is also the dam of Phoenix (655 IOA at just 4 years). She has a highly heritable pedigree with McCaw (sire of Cane) Odysseus (also sire of Chancellor Peel), Brusnik (sire of Nixon) and Adonis (sire of Warlord).

Lot 16: Tag 1027
Rising 1yr daughter of Mordecai

Price: _____
 Purchaser: _____



Mordecai
 681 4/8
 44pts @ 4yrs
 39" main beam
 24.59kg HA

FOV 1027/21

Rigby
 900+ IOA
 Nat 3yr HA Champ
 62 pts

CAN 9/12
 114kg

FOV 7390/17

Adidas
 640 IOA @ 5yrs
 Nat 3yr HA Champ

FOV 2125/12
 108kg



Leon
 929 5/8 IOA

TOW 81/00

Davidson
 751 IOA
 Sire of Hunter

CAN 34/05

Matthew
 730 IOA

CAN 7025/07

Amadeus
 322kg
 HA 16.1kg

FOV 8180/08
 117kg

Chancellor Peel
 HA 17.3kg

ROK 504/05

Moccona
 560 IOA @ 6yrs

TOW 504/05

Harley

BLT 162/01

B 42

CAN 124/00

Mr Peel
 IOA 484

TOW 332/03

Broadband
 585 IOA

CAN 124/01

Myson
 HA 17kg 312kg

FOV 500/92
 146kg

Brusnik
 IOA 520 @ 6yrs

FOV 6346/06

Weaning Wt: 51g 21/02/22 Recent Wt: 62kg 10/05/22 Sale Day Wt:

Comment: Sire Mordecai is going to be one to watch with his 39" main beam at just 4 years. We cut close to 25kg off him this year. Not surprising given his pedigree of Rigby (son of Leon, the first stag to break the 900 IOA mark) and Davidson (sire of Hunter). Dam sire Adidas was a National 3yr HA Champ. Note too grand dam 2125 is also the grand dam of the Purdey son offered as lot one.

Lot 17: Tag 1240 Rising 1yr daughter of Cleomenes

17

P 35

Price: _____
Purchaser: _____



Cleomenes

Cleomenes
655 IOA @ 7yrs,
21.8kg HA, Peo-
ple's Choice 2019

FOV 1240/21

Hilderic
555 @ 4yrs

Huneric
Nat 2yr HA
Champ 2009
588 IOA

Brusnik
IOA 520 @ 6yrs

DGZ 198/01

DGZ 6161/06

Scipio
IOA 500+ @ 4yrs

DGZ 3013/03

DGZ 9308/09

Morpheus
Nat 3yr HA
Champ
5yr 662 IOA

Scipio
IOA 500+ @ 4yrs

DGZ 97/04

DGZ 7222/07

Scipio
IOA 500+ @ 4yrs

DGZ 146/00

FOV 7335/17

Rigby
900+ IOA
Nat 3yr HA Champ
62 pts

Leon
929 5/8 IOA

Chancellor Peel
HA 17.3kg

ROK 504/05

TOW 81/00

Moccona
560 IOA @ 6yrs

TOW 504/05



Rigby

FOV 9218/09
112kg

Adonis
Former SCI # 1
World Record
Sire of Metallica

Terminator
HA 8.6kg

PDS 1/92

PDS 144/04
100kg

Brusnik
IOA 520 @ 6yrs

PDS 106/01

Weaning Wt: 47g 21/02/22 Recent Wt: 57kg 10/05/22 Sale Day Wt:

Comment: We used Cleomenes for the first time last year in our ET program. We like the style of his antler structure. Dam sire Leon was the first to break the 900 IOA mark. He is the sire of Mordecai (681 IOA at just 4yrs with a 39" main beam). Adonis on the bottom line (sire of Warlord) can only add to the heritability factor.

Lot 18: Tag 1320
Rising 1yr daughter of Mordecai

Price: _____
Purchaser: _____



Mordecai
681 4/8
44pts @ 4yrs
39" main beam
24.59kg HA

FOV 1320/21

Rigby
900+ IOA
Nat 3yr HA Champ
62 pts

CAN 9/12
114kg

Amadeus
322kg HA 16.1kg
IOA 634
Sire of Tarentino

FOV 1080/11
121kg

FOV 9085/09
117kg



Leon
929 5/8 IOA

TOW 81/00

Davidson
751 IOA
Sire of Hunter

CAN 34/05

Myson
HA 17kg 312kg

FOV 500/92
146kg

Brusnik
IOA 520 @ 6yrs

FOV7054/07
119kg

Chancellor Peel
HA 17.3kg

ROK 504/05

Moccona
560 IOA @ 6yrs

TOW 504/05

Harley

BLT 162/01

B 42

CAN 124/00

Mighty
Pure SW German

SW German

Wrede
287kg HA 10.08kg

FOV 120/86
138kg

Laszlo
Pure SW German

TOW 8078/85

Salvador
605 IOA

HDF 798/02

Weaning Wt: 47g 21/02/22 Recent Wt: 57kg 10/05/22 Sale Day Wt:

Comment:

Sire Mordecai is impressive with his 39 inch beam and 681 IOA at just 4 years. His dam sire Davidson is also the dam sire of Robert Hay. Dam sire Amadeus is also the sire of Tarentino. Note Brusnik on the bottom line is also the sire of Nixon.

Lot 19: Tag 1154 Rising 1yr daughter of Turbo

19

P 37

Price: _____
Purchaser: _____



Turbo
800+ IOA @ 5yrs

FOV 1154/21

Nixon
885 IOA @ 7yrs
Sire of Apex

Brusnik
IOA 520 @ 6yrs

Laszlo
SA2 8.48kg

TOW 6010/06

Lancaster

TOW 1003/01

ROK 504/05
Leon's dam

Achilles
618 5/8 SCI

Terminator

Leanna

Pink 52

Adonis
Former SCI #1
World Record
ROK 239/95

BRK 629/17

Hudrock
590 IOA @ 3yrs

Lincoln
611 IOA @ 4yrs

Hansen
583 IOA @ 4yrs

ROK 52/03

CRW 1016/11

Mr Peel
IOA 484

CRW 842/08



BRK 636/09

Sir Edmund

SBP 440/01

SBP 1489/00

BRK 600/07

Sovereign
47pts IOA 574

BRK 210/03

Weaning Wt: 44g 21/02/22 Recent Wt: 60kg 10/05/22 Sale Day Wt:

Comment: Sire Turbo is over 800 IOA at just 5 years. He has impressively long front tynes and massive high scoring tops. We couldn't resist matching him to Hudrock who brings Lincoln and Hansen to the pedigree. Note too stylish Sir Edmond on the bottom line. Top trophy antler genetics here on offer.

Lot 20: Tag 1043
Rising 1yr daughter of Robert Hay

Price: _____
Purchaser: _____



Robert Hay

Robert Hay
664 IOA @ 3yrs
HA 17.21kg

FOV 1043/21

Apex
708 IOA @ 5yrs
Sire of Robert Hay

Nixon
885 IOA @ 7yrs
Sire of Apex & Turbo

Brusnik
IOA 520 @ 6yrs
TOW 6010/06

CRW 7003/07

Achilles
IOA 618
CRW 595/05

FOV 4237/14
120kg

Davidson
751 IOA
Sire of Hunter

Harley
BLT 162/01

FOV 2554/12
109kg

Morpheus
Nat 3yr HA
Champ
FOV 254/10

FOV 8043/18
114kg

Hunter
817 1/8 SCI @ 6yrs

Davidson
751 IOA

Harley
BLT 162/01

CAN 299/02
Houghton's dam

Archilles
CAN 15/01



Hunter

FOV 3283/13
117kg
Dam of Phoenix

McCaw
2nd Nat 3yr HA
Comp

Odysseus
702 IOA
CAN 142/01

TOW 262/02
116kg

Brusnik
IOA 520 @ 6yrs
TOW 402/04

Weaning Wt: 52g 21/02/22 Recent Wt: 56kg 10/05/22 Sale Day Wt:

Comment: Sire Robert Hay is also the sire of new 2 year sire Benjamin. At over 700 IOA at just 4yrs, he is going to be one to watch. His eye catching stylish antler is eye catching. Dam sire Hunter at over 800 IOA at just 6 years is in a similar league. Note too grand dam 3283 is also the dam of Phoenix who scored 655 at just 4 years.

Lot 21: Tag 1118 Rising 1yr daughter of Beauden

21

P 39

Price: _____
Purchaser: _____



Beauden
694 SCI
29.4kg HH

Fig Jam
826 IOA
Sire of Munro

Warlord
IOA 573 @ 5yrs
HA 16.36kg @ 4yrs

Adonis
Former SCI #1
World Record

TOW 213/00

TOW 442/04

King
67" Spread

TOW 7/00

TOW 9143/09

Zidarn
653 IOA
Nat HA Champ

Brusnik
IOA 520 @ 6yrs

TOW 918/99

TOW 727/07

Awesome
IOA 520 @ 4yrs

TOW 289/03

FOV 1118/21

FOV 9167/19

Brusnis
710 IOA @ 10yrs
Sire of Brunswick

Brusnik
IOA 520 @ 6yrs
Sire of Huneric

Laszlo
SA2 8.48kg

TOW 8078/85

DGZ 700/04

Adonis
Former SCI #1
World Record

DGZ 45/09



Brusnis

TOW 6084/16

Bandit
600 5/8 IOA
@ 3yrs

Nixon
SA2 8.48kg

TOW 9276/09

TOW 4174/14

Discombe
595 IOA

TOW 2037/12

Weaning Wt: 51g 21/02/22 Recent Wt: 63kg 10/05/22 Sale Day Wt:

Comment: Our breeding focus is increasingly about antler style as well as trying to promote high scoring genetics and this young hind's pedigree is the perfect example of this. Both Beauden and Brusnis fit the criteria extremely well. Note too Fig Jam is also the sire of Munro and Brusnis is also the sire of Brunswick which further promotes heritability in the future progeny of this hind.

18 Month Hinds



Pure European 18M Hind Vetted in calf to Barrett

22

P 41

Price: _____

Purchaser: _____



Barrett

Barrett
441 IOA @ 2yrs
35pts 11.78kg HA

Cane
841 IOA @ 5yrs
HA 22.14kg

McCaw
2nd Nat 3yr HA
Comp
692 IOA @ 7yrs
20.37kg HA

Odysseus
702 IOA

CAN 142/01

Huneric
Nat 2yr HA Champ
2009

FOV 8244/08

FOV 2471/12

Image
15.1kg supreme @
6yrs
IOA 551

Mighty 5
Pure SW German

LEE 61/00

Amadeus
322kg HA 16.1kg

FOV 5586/05

FOV 7707/07

Metallica
679 IOA

Adonis
Former SCI # 1
World Record

WOB 108/00

Metaphor
819 5/8 IOA
@ 6yrs
Previous
World record

FOV 8744/08

Amadeus
322kg HA 16.1kg

FOV 6349/06

FOV 366/20
95kg

FOV 8340/18
101kg

Munro
705 IOA @ 6yrs
Sire of Damascus

Fig Jam
826 IOA

TOW 885/08

CAN 9/12
Mordecai's dam

Davidson
751 IOA

CAN 34/05

Progeny of
FOV 366/20



Metaphor

Comment: Sire Metaphor was impressive and attained world record status at just 6 years old! Dam sire Munro died before he reached his true potential but we are lucky to have his impressive son Damascus in our master sires to carry these genetics on. Vetted in calf to Barrett, our new up and coming Cane son. We selected Barrett for his antler dimensions. Huge fronts, with a great spread and long tops. He's going to be one to watch.

Pure European 18M Hind
Vetted in calf to Barrett

Price: _____

Purchaser: _____



Barrett

Barrett
441 IOA @ 2yrs
35pts 11.78kg HA

Cane
841 IOA @
5yrs
HA 22.14kg
Sire of Jordan

McCaw
2nd Nat 3yr HA
Comp
692 IOA @ 7yrs
20.37kg HA

FOV 2471/12

Odysseus
702 IOA

CAN 142/01

Huneric

Nat 2yr HA
Champ 2009

FOV 8244/08

FOV 1257/11
123kg

Image
15.1kg supreme @
6yrs
IOA 551

FOV 7707/07

Mighty 5

Pure SW German

LEE 61/00

Amadeus

322kg HA 16.1kg

FOV 5586/05

Progeny of

FOV 253/20

FOV 253/20
103kg

Brusnis
710 IOA @ 10yrs

Brusnik
IOA 520 @ 6yrs
Sire of Huneric

DGZ 700/04

Laszlo

SA2 8.48kg

TOW 8078/85

Adonis

Former SCI #1
World Record

DGZ 45/09

FOV 7381/17

Kallis
575 IOA @ 4yrs
28kg HA 44pts
Sire of Titanic &
Iconic

FOV 339/10

Te Anau Gold

PTS 315/10

Archibald

307kg HH 16.83kg

FOV 7715/07



Brusnis

Comment: Sire Brusnis certainly has the "wow" factor in his eye catching antler structure. Well placed front tynes and big long open tops. A great match for Kallis (sire of Titanic and Kallis). Vetted in calf to new up and coming 2yr sire Barrett. We selected Barrett for his antler dimensions - big front tynes, great spread and big long tops not unlike Cane's antler structure. We expect he will be one to watch in the future. Be in at the ground floor with these genetics.

Price: _____
Purchaser: _____



Barrett
441 IOA @ 2yrs
35pts 11.78kg HA

Progeny of
FOV 384/20

FOV 384/20
103kg



Hennessy

Cane
841 IOA @
5yrs
HA 22.14kg

FOV 1257/11
123kg

Hennessy
638 IOA @ 3yrs

FOV 7335/17
Full sister to
Benjamin's dam

McCaw
2nd Nat 3yr HA
Comp
692 IOA @ 7yrs
20.37kg HA

FOV 2471/12

Image
15.1kg supreme @
6yrs
IOA 551

FOV 7707/07

Roman
626 IOA @ 5yrs

CRW 491/14

Rigby
900+ IOA
Nat 3yr HA
Champ 62 pts

FOV 9218/09

Odysseus
702 IOA

CAN 142/01

Huneric
Nat 2yr HA Champ
2009

FOV 8244/08

Mighty 5
Pure SW German

LEE 61/00

Amadeus
322kg HA 16.1kg

FOV 5586/05

Achilles
IOA 618

CRW 1006/10

Nixon
885 IOA @ 7yrs

CRW 233/12

Leon
929 5/8 IOA

TOW 81/00

Adonis
Former SCI # 1
World Record

PDS 144/04

Comment: Sire Hennessy is an impressive looking stag with eye catching antler structure. At 638 IOA at just 3 years of age his big long front tynes and heavy tops are highly sought after by the hunting fraternity. Dam sire Rigby has joined his sire Leon in the 900+ IOA category. Note too Nixon and Adonis in the background can not be under estimated. Vetted in calf to new up and coming 2yr master sire Barrett, future progeny will impress.

Price: _____
 Purchaser: _____



Damascus
 590 4/8 IOA
 @ 3yrs
 44 pts 37" Main
 Beam

Progeny of
FOV 190/20

FOV 190/20
 105kg



Rigby
 900+ IOA

FOV 7327/17

Fig Jam
 826 IOA

TOW 885/08

Faulty Towers
 558 IOA @ 4yrs

CAN 9198/09

Leon
 929 5/8 IOA

TOW 81/00

Apex
 708 IOA @ 5yrs
 Sire of Robert Hay

FOV 1080/11

Warlord
 IOA 573 @ 5yrs
TOW 442/04

Discombe
 595 IOA
TOW 2011/02

Pegasus
 5yr 276kg HA
 12.5kg
TOW 385/03

Odysseus
 702 IOA
CAN 53/00

Chancellor Peel
 HA 17.3kg
ROK 504/05

Moccona
 560 IOA @ 6yrs
TOW 504/05

Nixon
 885 IOA @ 7yrs
CRW 7003/07

Amadeus
 322kg HA 16.1kg
FOV 9085/09

Comment: Sire Rigby at over 900 IOA is following in the footsteps of his sire Leon who was the first to break the 900 IOA benchmark. Dam sire Apex is also the sire of Robert Hay and a number of other stags offered in our previous sales. Vetted in calf to Damascus who continues to impress us - now at 590 4/8 IOA at just 3 years with a 37" main beam.

Pure European 18M Hind Vetted in calf to Damascus

26

P 45

Price:

Purchaser:



Damascus

Damascus
590 4/8 IOA @
3yrs
44 pts 37" Main
Beam

Progeny of
FOV 379/20

FOV 379/20
105kg



Robert Hay

Munro
705 IOA @ 6yrs

Fig Jam
826 IOA
Sire of Beauden

Warlord
IOA 573 @ 5yrs

TOW 442/04

TOW 885/08

Discombe
595 IOA

TOW 2011/02

FOV 4131/14
110kg

Faulty Towers
558 IOA @ 4yrs

Pegasus
5yr 276kg HA
12.5kg

TOW 385/03

CAN 9198/09

Odysseus
702 IOA

CAN 53/00

Robert Hay
713 IOA @ 4yrs
60 pts

Apex
708 IOA @ 5yrs

Nixon
885 IOA @ 7yrs

CRW 7003/07

FOV 4237/14

Davidson
751 IOA

FOV 2554/12

FOV 7281/17

Rigby
900+ IOA
Nat 3yr HA Champ
62 pts
Sire of Mordecai

Leon
929 5/8 IOA

TOW 81/00

FOV 2158/12

Amadeus
322kg HA 16.1kg

FOV 9158/09
Full sister to Lord
Haka

Comment: Sire Robert Hay now 713 IOA at just 4 years with 60 points looks well set up to be an industry great at maturity. Dam sire Rigby has joined the 900 IOA club along with his sire Leon. He is also the sire of Mordecai (681 IOA at 4yrs). Vetted in calf to Damascus who continues to impress us as he matures. A son of Munro he continues with these genetics after Munro's untimely death. He will be an impressive sire at maturity.

Pure European 18M Hind
Vetted in calf to Damascus

Price: _____
Purchaser: _____



Damascus

Damascus
590 4/8 IOA
@ 3yrs
44 pts 37" Main
Beam

Progeny of

FOV 110/20

FOV 110/20
98kg



Robert Hay

Munro
705 IOA @ 6yrs

Fig Jam
826 IOA

Warlord
IOA 573 @ 5yrs

TOW 442/04

TOW 885/08

Discombe
595 IOA

TOW 2011/02

FOV 4131/14
110kg

Faulty Towers
558 IOA @ 4yrs

Pegasus
5yr 276kg HA
12.5kg

TOW 385/03

CAN 9198/09

Odysseus
702 IOA

CAN 53/00

Robert Hay
713 IOA @ 4yrs
60 pts
Sire of Benjamin

Apex
708 IOA @ 5yrs

Nixon
885 IOA @ 7yrs

CRW 7003/07

FOV 4237/14

Davidson
751 IOA

FOV 2554/12

FOV 4230/14
119kg
Iconic's dam

Gregor
5yr 20.05kg HA
53pts
IOA 605

Scipio
IOA 500+ @ 4yrs

FOV 7515/07

CAN 15/12

Davidson
751 IOA

CAN 7116/07

Comment: Sire Robert Hay is also the sire of Benjamin having used him as a spiker for mating. Robert Hay's very stylish eye catching antler continues to impress at 713 IOA at just 4 years. He's going to be one to watch as he matures and has already proven his heritability. Dam sire Gregor also had an eye catching antler structure and so a great match for Robert Hay. Vetted in calf to Damascus can only add to the "wow" factor.

Pure European 18M Hind Vetted in calf to Benjamin

28

P 47

Price: _____
Purchaser: _____



Benjamin

Benjamin
416 4/8 IOA
@ 2yrs
40pts

Progeny of
FOV 206/20

FOV 206/20
101kg



Munro

Robert Hay
713 IOA @
4yrs 60 pts
HA 17.21kg

FOV 7361/17

Munro
705 IOA @ 6yrs
Sire of Damascus

FOV 4213/14
110kg

Apex
708 IOA @ 5yrs

FOV 4237/14

Rigby
900+ IOA
Nat 3yr HA Champ

FOV 9218/09

Fig Jam
826 IOA
Sire of Beauden

TOW 885/08

Lord Haka
201kg HA 13.5kg
@ 2yrs
721 IOA @ 5yrs
Sire of Purdey

FOV 2356/12

Nixon
885 IOA @ 7yrs

CRW 7003/07

Davidson
751 IOA

FOV 2554/12

Leon
929 5/8 IOA

TOW 81/00

Adonis
Former SCI # 1
World Record

PDS 144/04

Warlord
IOA 573 @ 5yrs

TOW 442/04

Discombe
595 IOA

TOW 2011/02

Windsor
4yr 266kg HA
14.4kg

FOV 6277/06

Davidson
751 IOA

CAN 9369/09
Full sister to
Koruba

Comment: Sire Munro unfortunately died before he reached his prime. However he is the sire of Damascus and so his legacy will continue in our herd. Dam sire Lord Haka needs no introduction. He is the sire of Purdey. Vetted in calf to new sire Benjamin who looks set to follow in the footsteps of his sire Robert Hay.

Pure European 18M Hind
Vetted in calf to Benjamin

Price: _____
Purchaser: _____



Benjamin

Benjamin
416 4/8 IOA
@ 2yrs
40pts

Progeny of
FOV 245/20

FOV 245/20
102kg



Cane

Cane
841 IOA @ 5yrs
20.37kg HA
Sire of Barrett

FOV 7341/17

McCaw
2nd Nat 3yr HA
Comp
692 IOA @ 7yrs

FOV 2471/12

Adidas
640 IOA @ 5yrs
Nat 3yr HA
Champ

FOV 9151/09

Robert Hay
713 IOA @
4yrs 60 pts
HA 17.21kg

FOV 7361/17

Apex
708 IOA @ 5yrs

FOV 4237/14

Nixon
885 IOA @ 7yrs

CRW 7003/07

Davidson
751 IOA

FOV 2554/12

Rigby
900+ IOA
Nat 3yr HA Champ

FOV 9218/09

Leon
929 5/8 IOA

TOW 81/00

Adonis
Former SCI # 1
World Record

PDS 144/04

Odysseus
702 IOA

CAN 142/01

Huneric
Nat 2yr HA Champ
2009

FOV 8244/08

Matthew
730 IOA

CAN 7025/07

Brusnik
IOA 520 @ 6yrs

FOV 6285/06

Comment: Sire Cane is truly an impressive sire. The sheer dimensions of his antler structure is huge and we are looking forward to his 3 year old offerings in our next stag sale. Dam sire Adidas is a top performing sire anchored by Matthew and Brusnik (sire of Nixon) in his pedigree. Vetted in calf to Benjamin who looks set to follow in the footsteps of Robert Hay.

Pure European 18M Hind Vetted in calf to Benjamin

30

P 49

Price: _____

Purchaser: _____



Benjamin
416 4/8 IOA
@ 2yrs
40pts

Progeny of
FOV 424/20

FOV 424/20
98kg



Titanic
637 1/2 IOA
@ 4yrs
28kg HA 44pts
19.52kg HA

CAN 290/16
106kg

Apex
708 IOA @ 5yrs

FOV 4237/14

Nixon
885 IOA @ 7yrs

CRW 7003/07

Davidson
751 IOA

FOV 2554/12

Rigby
900+ IOA
Nat 3yr HA Champ

FOV 9218/09

Leon
929 5/8 IOA

TOW 81/00

Adonis
Former SCI # 1
World Record

PDS 144/04

Kallis
575 IOA @ 4yrs

FOV 3291/13

Te Anau Gold

PTS 315/10

McCaw
692 IOA @ 7yrs

FOV 124/10

Adidas
640 IOA @ 5yrs
Nat 3yr HA
Champ

CAN 38/13

Matthew
730 IOA

CAN 7025/07

Odysseus
702 IOA

CAN 705/10

Comment: Sire Titanic looked set to score over 700 IOA at 4 years if he hadn't damaged it while it was growing. Fortunately it looks like his coronet is ok so we are expecting him to show us his full potential this year at 5 years. Dam sire Adidas is a top performer with plenty of eye catching antler. Vetted in calf to new sire Benjamin selected for his eye catching antler style. There's plenty to like here in this progeny pedigree.

Mixed Aged Hinds



Price: _____
Purchaser: _____



Progeny of
FOV 9107/19

Robert Hay
713 IOA @ 4yrs
60 pts
HA 17.21kg

Apex
708 IOA @ 5yrs

Nixon
885 IOA @ 7yrs
Sire of Turbo

Brusnik
IOA 520 @ 6yrs
TOW 6010/06

CRW 7003/07

Achilles
IOA 618
CRW 595/05

FOV 4237/14
120kg

Davidson
751 IOA
Sire of Hunter

Harley
BLT 162/01

FOV 2554/12

Morpheus
Nat 3yr HA Champ
FOV 254/10

FOV 9107/19
100kg

Munro
705 IOA @ 6yrs
Sire of Damascus

Fig Jam
826 IOA

Warlord
IOA 573 @ 5yrs
TOW 442/04

TOW 885/08

Discombe
595 IOA
TOW 2011/02



FOV 6277/16
101kg

Gregor
5yr 20.05kg HA
53pts
IOA 684

Scipio
IOA 500+ @ 4yrs
FOV 7515/07

FOV 4192/14

Houghton
6yr 542 IOA
CAN 9/12
Mordecai's dam

Comment: Sire Munro is also the sire of Damascus who will continue Munro's legacy after his untimely death. His antler style well complemented by dam sire Gregor's. Vetted in calf to Robert Hay (sire of Benjamin). This can only enhance the heritability of the resultant progeny.

Price: _____

Purchaser: _____



Progeny of

FOV 7380/17

Cane
841 IOA @ 5yrs
HA 22.14kg
Sire of Barrett

FOV 7380/17
120kg



McCaw
2nd Nat 3yr HA
Comp
692 IOA @ 7yrs
20.37kg HA

FOV 2471/12

Kallis
575 IOA @ 4yrs
Sire of Titanic

CAN 113/14
113kg

Odysseus
702 IOA
Sire of Mentor &
Houghton

CAN 142/01

Huneric
Nat 2yr HA Champ
2009
588 IOA

FOV 8244/08

Te Anau Gold

PTS 315/10

Matthew
730 IOA
Sire of Adidas

CAN 8/11

Chancellor Peel
HA 17.3kg

DGZ 229/90

Harvey
SA2 11.59kg
@ 9yrs

WDM 179/00

Brusnik
IOA 520 @ 6yrs

DGZ 198/01

Jamieson
HA 12kg IOA 573

FOV 6585/06

Doug

PTS 444/06

PTS 7226/07

PTS 5247/05

Mr Peel
IOA 484

TOW 332/03

Odysseus
702 IOA

WNP 4/00

Comment: Sire Kallis is also the sire of Titanic and Iconic and dam sire Matthew is the sire of Adidas. A well proven pedigree worthy of this mating to Cane. Cane is also the sire of new master sire Barrett who looks to have similar antler style and we expect he will impress as he matures. A star lot!

Pure European r 3yr Hind Vetted in calf to Cane

33

P 53

Price: _____

Purchaser: _____



Cane
841 IOA @ 5yrs
HA 22.14kg
Sire of Barrett

McCaw
2nd Nat 3yr HA
Comp
692 IOA @ 7yrs
20.37kg HA

Odysseus
702 IOA
Sire of Mentor &
Houghton

Chancellor Peel
HA 17.3kg

DGZ 229/90

Harvey
SA2 11.59kg
@ 9yrs

WDM 179/00

CAN 142/01

FOV 2471/12

Huneric
Nat 2yr HA Champ
2009
588 IOA

Brusnik
IOA 520 @ 6yrs

DGZ 198/01

FOV 8244/08

Jamieson
HA 12kg IOA 573

FOV 6585/06

Warlord
IOA 573 @ 5yrs

TOW 442/04

Munro
705 IOA @ 6yrs
Sire of Damascus

Fig Jam
826 IOA

Discombe
595 IOA

TOW 2011/02

TOW 885/08

FOV 9239/19
107kg

FOV 1425/11
111kg

Windsor
4yr 266kg
HA 14.4kg
608 IOA
Sire of Lord Haka

Warlord
IOA 573 @ 5yrs

TOW 4/04

FOV 9506/09

Archibald
307kg HH 16.83kg

FOV 3900/03

Progeny of
FOV 9239/19



Comment: Sire Munro is also the sire of Damascus and his antler style reflects his sires, proving Munro's heritability. Dam sire Windsor was also the sire of Lord Haka and Archibald on the bottom line is the sire of Alexander. Vetted in calf to high scoring Cane, will set the resultant progeny up well with trophy antler genetics.

Pure European r 7yr Hind
Vetted in calf to Robert Hay

Price: _____

Purchaser: _____



Robert Hay

Robert Hay
713 IOA @ 4yrs
60 pts
HA 17.21kg

Progeny of

FOV 5293/15

FOV 5293/15
124kg



Lord Haka

Apex
708 IOA @ 5yrs

FOV 4237/14
120kg

Lord Haka
201kg
HA 13.5kg @
2yrs
721 IOA @ 5yrs
Sire of Purdey

DGZ 332/10
112kg

Nixon
885 IOA @ 7yrs
Sire of Turbo

CRW 7003/07

Davidson
751 IOA
Sire of Hunter

FOV 2554/12

Windsor
4yr 266kg
HA 14.4kg
608 IOA

FOV 6277/06

Morpheus
Nat 3yr HA Champ
5yr 662 IOA
Sire of Phantasos

DGZ 3004/03

Brusnik
IOA 520 @ 6yrs
TOW 6010/06

Achilles
IOA 618
CRW 595/05

Harley
BLT 162/01

Morpheus
Nat 3yr HA Champ
FOV 254/10

Warlord
IOA 573 @ 5yrs
TOW 4/04

Salvador
605 IOA
PDS 203/04

Scipio
IOA 500+ @ 4yrs
DGZ 97/04

Chancellor Peel
HA 17.3kg
DGZ 237/96

Comment: Sire Lord Haka is also the sire of Purdey (930 IOA). Dam sire Morpheus was a National 3yr HA Champ. He is also the sire of Phantasos (sire of Zambuka) and so extremely heritable. Vetted in calf to 60 point Robert Hay (sire of Benjamin). The resultant progeny will have strong heritability for producing top trophy genetics.

Pure European r 8yr Hind Vetted in calf to Apex

35

P 55

Price: _____

Purchaser: _____



Apex
708 IOA @ 5yrs
Sire of Robert Hay

Progeny of
FOV 4416/14

FOV 4416/14
131kg



Nixon
885 IOA @ 7yrs
Sire of Turbo

CRW 7003/07

McCaw
2nd Nat 3yr HA
Comp
692 IOA @ 7yrs
Sire of Cane

FOV 9218/09
112kg

Brusnik
IOA 520 @ 6yrs
Sire of Huneric

TOW 6010/06

Achilles
IOA 618

CRW 595/05

Odysseus
702 IOA
Sire of Mentor &
Houghton

CAN 142/01

Adonis
Former SCI # 1
World Record

PDS 144/04

Laszlo
SA2 8.48kg
TOW 8078/85

Lancaster
TOW 1003/01

Major Peel
7yr SA2 11.61kg
PFE 288/98

Jethrow
CRW 218/00

Chancellor Peel
HA 17.3kg
DGZ 229/90

Harvey
SA2 11.59kg
@ 9yrs
WDM 179/00

Terminator
HA 8.6kg
PDS 1/92

Brusnik
IOA 520 @ 6yrs
PDS 106/01

Comment: Sire McCaw's heritability factor is evident by the number of top sons we have sold over the years. Most notable of his sons is Cane (841 IOA at just 5yrs). Dam 9218 is Benjamins maternal grand dam. Dam sire Adonis is also the sire of Warlord and appears in the pedigree of a number of industry greats. Brusnik on the bottom line is the sire of Nixon. Exceptional heritability in this hind. Vetted in calf to Apex (sire of Robert Hay) can only enhance this in the resultant progeny.

Pure European r 5yr Hind
Vetted in calf to Robert Hay

Price: _____

Purchaser: _____



Robert Hay
713 IOA @ 4yrs
60 pts
HA 17.21kg

Progeny of

FOV 7319/17

FOV 7319/17
122kg



Apex
708 IOA @ 5yrs

Nixon
885 IOA @ 7yrs
Sire of Apex &
Turbo

CRW 7003/07

Brusnik
IOA 520 @ 6yrs
TOW 6010/06

Achilles
IOA 618
CRW 595/05

FOV 4237/14
120kg

Davidson
751 IOA
Sire of Hunter

FOV 2554/12

Harley
BLT 162/01

Morpheus
Nat 3yr HA Champ
FOV 254/10

Rigby
900+ IOA
Sire of Mordecai

Leon
929 5/8 IOA

TOW 81/00

Chancellor Peel
HA 17.3kg
ROK 504/05

Moccona
560 IOA @ 6yrs
TOW 504/05

FOV 285/10
134kg

Huneric
Nat 2yr HA
Champ 2009
588 IOA

TOW 8023/08

Brusnik
IOA 520 @ 6yrs
DGZ 198/01

Holy Oak
652 IOA
TOW 588/05

Comment: Sire Rigby is also the sire of Mordecai. At over 900 IOA he is following in the footsteps of his sire Leon. Dam sire Huneric is also the dam sire of Cane. Dam 285 is a big bodied hind that has been used as a donor in her younger days and so highly respected here at the stud. Vetted in calf to Robert Hay (sire of Benjamin), the resultant progeny will impress.

Pure European r 7yr Hind Vetted in calf to Mordecai

37

P 57

Price: _____

Purchaser: _____



Mordecai
681 1/2 IOA @ 4yrs
24.59kg HA
44pts
39" Main Beam

Rigby
900+ IOA
Nat 3yr HA
Champ 62 pts

CAN 9/12
114kg

Leon
929 5/8 IOA

TOW 81/00

Chancellor Peel
HA 17.3kg

ROK 504/05

Moccona
560 IOA @ 6yrs

TOW 504/05

Harley

BLT 162/01

Davidson
751 IOA
Sire of Hunter

CAN 34/05

B 42

CAN 124/00

Progeny of
FOV 5428/15

FOV 5428/15
126kg

Davidson
751 IOA
Sire of Hunter

Harley

BLT 162/01

Leo
400+ Trophy

BLT 1/20

Adonis
Former SCI # 1
World Record

BLT 665/01



FOV 2138/12

Amadeus
322kg HA 16.1kg
IOA 634
Sire of Tarentino

FOV 6277/06
Lord Haka's dam

Myson
HA 17kg 312kg

FOV 500/92
146kg

Salvador
605 IOA

PDS 203/04

Comment: Sire Davidson is the dam sire of Robert Hay and Mordecai. Dam sire Amadeus is also the sire of Tarentino. Note too grand dam 6277 is also Lord Haka's dam. A strong heritability factor here for trophy antler in this hind. Vetted in calf to Mordecai with his impressive 39" main beam, will surely enhance the mix.

Pure European r 4yr Hind
Vetted in calf to Robert Hay

Price: _____

Purchaser: _____



Robert Hay
713 IOA @ 4yrs
60 pts
HA 17.21kg

Progeny of

FOV 8060/18

FOV 8060/18
116kg



Apex
708 IOA @ 5yrs

Nixon
885 IOA @ 7yrs
Sire of Turbo

Brusnik
IOA 520 @ 6yrs
TOW 6010/06

CRW 7003/07

Achilles
IOA 618
CRW 595/05

FOV 4237/14
120kg

Davidson
751 IOA
Sire of Hunter

Harley
BLT 162/01

FOV 2554/12

Morpheus
Nat 3yr HA Champ
FOV 254/10

Leon
929 5/8 IOA

Chancellor Peel
HA 17.3kg
ROK 504/05

Rigby
900+ IOA
Sire of Mordecai

TOW 81/00

Moccona
560 IOA @ 6yrs
TOW 504/05

CAN 113/14
113kg

Matthew
730 IOA
Sire of Adidas

Mr Peel
IOA 484
TOW 332/03

CAN 8/11

Odysseus
702 IOA
WNP 4/00

Comment: Sire Rigby is also the sire of Mordecai with his impressive 39" antler @ 4 years. Dam sire Matthew is the sire of Adidas. Plenty more heritability in this hinds pedigree with Chancellor Peel, (sire of Leon, Odysseus and many others), Moccona (dam sire of Rigby) and Odysseus (sire of McCaw, Malibu and many others). Vetted in calf to Robert Hay with his eye catching 713 IOA. He is also the sire new 2 year sire Benjamin, who we have used this year.

Pure European r 4yr Hind Vetted in calf to Cleveland

39

P 59

Price: _____

Purchaser: _____



Cleveland
484 5/8 IOA @ 3yrs
271 kg

Rockafella
682 IOA @ 5
Peoples Choice
HA 2017 &
2018

Lincoln
611 IOA at 4yrs

Hansen
583 IOA at 4yrs

ROK 52/03

CRW 817/08

Salvador
605 IOA

CRW 503/05

CRW 254/12

Caviar
35pts @ 2yrs

Coco
557 IOA

CRW 706/07

CRW 1023/10

Mr Peel
IOA 484

CRW 842/08

Progeny of
FOV 8088/18

FOV 8088/18
117kg

Brusnis
710 IOA @ 10yrs
Sire of Huneric

Brusnik
IOA 520 @ 6yrs

Laszlo
SA2 8.48kg

TOW 8078/85

DGZ 700/04

Adonis
Former SCI #1
World Record

DGZ 45/09



TOW 606/16
120kg

Tarentino
756 IOA SCI

Amadeus
322kg HA 16.1kg

TOW 325/03

TOW 2036/12

Jamieson
HA 12kg IOA 573

TOW 9000/09

Comment: Sire Brusnis really does have the "wow" factor with big long well placed front tynes and big heavy long tops - very symmetrical. Dam sire Tarentino, a son of the great all rounder Amadeus, will only add to the wow factor. Vetted in calf to Cleveland for his excellent tyne placement, he will surely complement this hinds pedigree.

Price: _____
Purchaser: _____



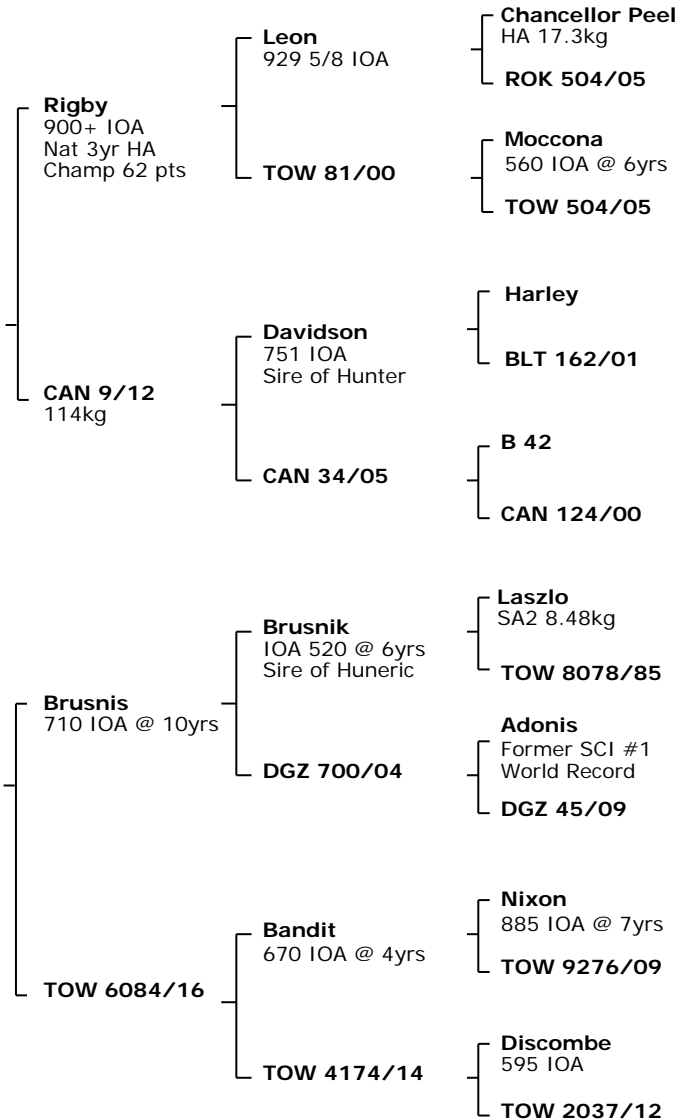
Mordecai
681 1/2 IOA
@ 4yrs
24.59kg HA
44pts
39" Main Beam

Progeny of
FOV 9167/19

FOV 9167/19
131kg



Brusnis



Comment: Sire Brusnis shares his sire Brusnik with Huneric and Nixon. His "wow" factor antler structure with his long front tynes and heavy long high scoring tops which are very symmetrical. Dam sire Bandit is an outstanding Nixon son who will compliment Brusnis well. Vetted in calf to Mordecai's heavy and long 44 point antler, there is plenty to like in this progeny's pedigree.

Pure European r 5yr Hind Vetted in calf to Titanic

41

P 61

Price: _____

Purchaser: _____



Titanic

Titanic
637 1/2 IOA
@ 4yrs
59 pts
19.52kg HA

Progeny of
FOV 7345/17

FOV 7345/17
113kg



Rigby

Kallis
575 IOA @ 4yrs
28kg HA 44pts

FOV 3291/13
120kg

Rigby
900+ IOA
Sire of Mordecai

SCR 457/14
130kg

Te Anau Gold

PTS 315/10

McCaw
2nd Nat 3yr HA
Comp
692 IOA @ 7yrs
20.37kg

FOV 124/10

Leon
929 5/8 IOA

TOW 81/00

Spotburn 403
638 IOA
27.8kg HA

SCR 54/12

Doug

PTS 444/06

PTS 7226/07

PTS 5247/05

Odysseus
702 IOA

CAN 142/01

Huneric
Nat 2yr HA Champ
2009

TOW 8023/08

Chancellor Peel
HA 17.3kg

ROK 504/05

Moccona
560 IOA @ 6yrs

TOW 504/05

Adonis
Former SCI # 1
World Record

SBS 1/95

Endsleigh
IOA 584 60 pts

SCR 1/10

Comment: Sire Rigby is also the sire of Mordecai (24.59kg HA, 39" main beam). Rigby is one of a select few to break the 900 IOA benchmark. We couldn't resist matching him to Spotburn 403 (27.8kg HA). Vetted in calf to Titanic who we believe would have easily scored over 700 IOA if he hadn't damaged his antler early in its growth. This progeny pedigree is packed with high scoring and heavy antlered genes.

Pure European r 4yr Hind
Vetted in calf to Titanic

Price: _____

Purchaser: _____



Progeny of

FOV 8288/18

Titanic
637 1/2 IOA
@ 4yrs
59 pts
19.52kg HA

Kallis
575 IOA @ 4yrs
28kg HA 44pts

Te Anau Gold

Doug

PTS 444/06

PTS 315/10

PTS 7226/07

PTS 5247/05

FOV 3291/13
120kg

McCaw
2nd Nat 3yr HA
Comp
692 IOA @ 7yrs
20.37kg

Odysseus
702 IOA

CAN 142/01

FOV 124/10

Huneric
Nat 2yr HA Champ

TOW 8023/08

FOV 8288/18
120kg

Cane
841 IOA @ 5yrs
Sire of Jordan

McCaw
2nd Nat 3yr HA
Comp
692 IOA @ 7yrs
20.37kg HA

Odysseus
702 IOA

CAN 142/01

FOV 2471/12

Huneric
Nat 2yr HA Champ

FOV 8244/08



FOV 1137/11
133kg

Salvador
605 IOA 2yr HA
Champ

Chancellor Peel
HA 17.3kg

BFP 596/96

FOV 9783/09

Apollo
535 IOA

FOV 7346/07

Comment: Sire Cane is also the sire of new master sire Barrett. At 841 IOA Cane certainly is impressive with very big antler dimensions for length and spread. Dam sire Salvador is also the dam sire of Lord Haka. A great record for both heritability and high scoring antlers. Vetted in calf to Titanic who we believe would have easily scored over 700 at 4 years if he hadn't damaged his velvet early in its growth. We expect he will show his full potential next year as his coronet doesn't look damaged.

Pure European r 4yr Hind Vetted in calf to Titanic

43

P 63

Price:

Purchaser:



Titanic
637 1/2 IOA
@ 4yrs
59 pts
19.52kg HA

Kallis
575 IOA @ 4yrs
28kg HA 44pts

Te Anau Gold

Doug

PTS 444/06

PTS 315/10

PTS 7226/07

PTS 5247/05

FOV 3291/13
120kg

McCaw
2nd Nat 3yr HA
Comp
692 IOA @ 7yrs
20.37kg

Odysseus
702 IOA

CAN 142/01

FOV 124/10

Huneric
Nat 2yr HA Champ
2009

TOW 8023/08

Progeny of
FOV 8259/18

FOV 8259/18
117kg

Hunter
817 1/8 SCI
@ 6yrs

Davidson
751 IOA

Harley

BLT 162/01

CAN 299/02

Archilles

CAN 15/01

SCR 457/14
130kg

Spotburn 403
638 IOA
27.8kg HA

Adonis
Former SCI # 1
World Record

SBS 1/95

SCR 54/12

Endsleigh
IOA 584 60 pts

SCR 1/10



Comment: What a trophy pedigree this is! Sire Hunter was impressive at over 800 IOA at just 6 years surpassing his sire Davidson who was one of the first to break the 700 IOA mark. Dam sire Spotburn 403, a highly respected Adonis son with 27.8kg HA. Vetted in calf to Titanic who we believe would have easily scored 700 IOA @ 4yrs if he hadn't damaged his velvet early on. The progeny from this mix will be packed with high scoring heavy antlers.

Pure European r 7yr Hind
Vetted in calf to Robert Hay

Price: _____

Purchaser: _____



Robert Hay
713 IOA @ 4yrs
60 pts
HA 17.21kg

Apex
708 IOA @ 5yrs

Nixon
885 IOA @ 7yrs
Sire of Turbo

Brusnik
IOA 520 @ 6yrs

TOW 6010/06

CRW 7003/07

Achilles
IOA 618

CRW 595/05

FOV 4237/14
120kg

Davidson
751 IOA
Sire of Hunter

Harley

BLT 162/01

FOV 2554/12

Morpheus
Nat 3yr HA Champ

FOV 254/10

Progeny of

FOV 5040/15

FOV 5040/15
118kg

Odysseus
702 IOA
Sire of Mentor & Houghton

Chancellor Peel
HA 17.3kg

DGZ 229/90

McCaw
2nd Nat 3yr HA
Comp
692 IOA
20.37kg HA
Sire of Cane

CAN 142/01

Harvey
SA2 11.59kg @ 9yrs

WDM 179/00



FOV 3586/13

Amadeus
322kg HA 16.1kg
IOA 634
Sire of Tarentino

Myson
HA 17kg 312kg

FOV 500/92
146kg

FOV 195/10

Woody
Former SCI # 1

FOV 7039/07

Comment: Sire McCaw is an extremely heritable sire and this is well documented in past stag sale catalogues. Most notably he is the sire of Cane (841 IOA at just 5 years). Dam sire Amadeus is also the sire of Tarentino. Vetted in calf to Robert Hay (sire of new 2yr master sire Barrett). Could the heribility factor be any stronger for the resultant progeny of this mix.

Pure European r 6yr Hind Vetted in calf to Apex

45

P 65

Price: _____

Purchaser: _____



Apex
708 IOA @ 5yrs
Sire of Robert Hay

Progeny of
FOV 6309/16

FOV 6309/16
121kg



Nixon
885 IOA @ 7yrs
Sire of Turbo

Brusnik
IOA 520 @ 6yrs
Sire of Huneric

Laszlo
SA2 8.48kg
TOW 8078/85

TOW 6010/06

Lancaster
TOW 1003/01

CRW 7003/07

Achilles
IOA 618

Major Peel
7yr SA2 11.61kg
PFE 288/98

CRW 595/05

Jethrow
CRW 218/00

Scipio
IOA 500+ @ 4yrs

Jamieson
HA 12kg IOA 573
DGZ 228/00

Gregor
5yr 20.05kg HA
53pts
684 IOA @ 6yr

FOV 7515/07

Commander Peel
4yr IOA 471
PFE 57/02

FOV 4237/14
120kg
Robert Hay's dam

Davidson
751 IOA
Sire of Hunter

Harley
BLT 162/01

FOV 2554/12

Morpheus
Nat 3yr HA Champ
FOV 254/10

Comment: Sire Gregor shares his sire Scipio with Morpheus. Gregor's 53pt antler was impressive and eye catching. Note the dam of this hind is also Robert Hay's dam. Dam sire Davidson is the dam sire of both Robert Hay and Mordecai. Morpheus on the bottom line is the sire of Phantasos (sire of Zambuka). Vetted in calf to Apex (sire of Robert Hay). A great pedigree for eye catching antlers.

Price: _____
Purchaser: _____



Zamson
3 yr son of
Zambuka

Progeny of

FOV 8071/18

FOV 8071/18
100kg



Zambuka
758 IOA @ 4yrs
Sire of
Bombay Sapphire
(843 IOA @ 2yrs

FOV 3491/13
105kg

Brusnik
710 IOA @ 10yrs

CAN 102/16
101kg

Phantasos
669 IOA @ 4yrs

DGZ 1393/11

Henry VIII
HA 18.6kg
IOA 619 @ 6yrs
Sire of Fitzroy

FOV 7005/07

Brusnik
IOA 520 @ 6yrs
Sire of Huneric

DGZ 700/04

Matthew
730 IOA
Sire of Adidas

CAN 57/07

Morpheus
Nat 3yr HA Champ

DGZ 5124/05

Huneric
Nat 2yr HA Champ

DGZ 9208/09

Henry James
214kg HH 9.55kg
@ 2yrs

WBD 37/00

Amadeus
322kg HA 16.1kg

PDS 73/02

Laszlo
SA2 8.48kg

TOW 8078/85

Adonis
Former SCI #1
World Record

DGZ 45/09

Mr Peel
IOA 484

TOW 332/03

Kane
603 IOA

CAN 57/04

Comment: Sire Brusnik has a highly sought after antler structure by the trophy industry - big long front tynes and heavy long tops. Very symmetrical and with the eye catching "wow" factor. Dam sire Matthew is also the sire of Adidas. Kane on the bottom line is a full brother to Hector. Very strong heritability. Vetted in calf to new sire Zamson - he shares his sire Zambuka with Bombay Sapphire.

Pure European r 4yr Hind Vetted in calf to Zamson

47

P 67

Price:

Purchaser:



Zamson
3 yr son of
Zambuka

Progeny of
FOV 8066/18

FOV 8066/18
122kg



Zambuka
758 IOA @ 4yrs
Sire of
Bombay Sapphire
(843 IOA @ 2yrs

Phantasos
669 IOA @ 4yrs

Morpheus
Nat 3yr HA Champ

DGZ 5124/05

DGZ 1393/11

Huneric
Nat 2yr HA Champ

DGZ 9208/09

FOV 3491/13
105kg

Henry VIII
HA 18.6kg
IOA 619 @ 6yrs
Sire of Fitzroy

Henry James
214kg HH 9.55kg
@ 2yrs

WBD 37/00

FOV 7005/07

Amadeus
322kg HA 16.1kg

PDS 73/02

Brunsis
710 IOA @ 10yrs
Sire of Brunswick

Brunsik
IOA 520 @ 6yrs
Sire of Huneric

Laszlo
SA2 8.48kg

TOW 8078/85

DGZ 700/04

Adonis
Former SCI #1
World Record

DGZ 45/09

FOV 4171/14
114kg

McCaw
2nd Nat 3yr HA
Comp
692 IOA @ 7yrs
20.37kg

Odysseus
702 IOA

CAN 142/01

FOV 2061/12

Huneric
Nat 2yr HA Champ

FOV 9099/09

Comment: This hind is closely bred to our new master sire Brunswick and so we expect she will have similar antler genetics to pass onto her progeny. Brunswick has an extremely long and wide antler structure. Dam sire McCaw is also the sire of Cane. Vetted in calf to our new sire Zamson who shares his sire Zambuka with Bombay Sapphire. We expect the resultant progeny to impress.

Price: _____

Purchaser: _____



Zamson
3 yr son of
Zambuka

Progeny of

FOV 8043/18

FOV 8043/18
130kg



Zambuka
758 IOA @ 4yrs
Sire of Sapphire
(843 IOA @ 2yrs)

FOV 3491/13
105kg

Hunter
817 1/8 SCI
@ 6yrs

FOV 3283/13
117kg
Phoenix's dam

Phantasos
669 IOA @ 4yrs

DGZ 1393/11

Henry VIII
HA 18.6kg IOA
619 @ 6yrs
Sire of Fitzroy

FOV 7005/07

Davidson
751 IOA

CAN 299/02

McCaw
2nd Nat 3yr HA
Comp
692 IOA @ 7yrs
20.37kg
Sire of Cane

TOW 262/02

Morpheus
Nat 3yr HA Champ

DGZ 5124/05

Huneric
Nat 2yr HA Champ
2009

DGZ 9208/09

Henry James
214kg HH 9.55kg
@ 2yrs

WBD 37/00

Amadeus
322kg HA 16.1kg

PDS 73/02

Harley

BLT 162/01

Archilles

CAN 15/01

Odysseus
702 IOA

CAN 142/01

Brusnik
IOA 520 @ 6yrs

TOW 402/04

Comment: Sire Hunter was a previous world record at 817 1/8 IOA. He surpassed his sire Davidson who was one of the first to score over 700 IOA. Dam 3283 is also the dam of Phoenix. Her sire McCaw is also the sire of Cane and her sire Brusnik is also the sire of Nixon and Huneric. Vetted in calf to Zamson who shares his sire Zambuka with Bombay Sapphire. An impressive trophy pedigree.

Price: _____
Purchaser: _____



Progeny of
FOV 6236/16

Truman
538 IOA @ 3yrs

FOV 6236/16
122kg



Rockafella
682 IOA @ 5
Peoples Choice
HA 2017 & 2018

CRW 1016/11
Hudrock's dam

McCaw
2nd Nat 3yr HA
Comp
692 IOA
20.37kg HA
Sire of Cane

FOV 9151/09
123kg

Lincoln
611 IOA at 4yrs

CRW 817/08

Mr Peel
IOA 484
Full brother to
Chancellor Peel

CRW 842/08

Odysseus
702 IOA
Sire of Mentor &
Houghton

CAN 142/01

Brusnik
IOA 520 @ 6yrs
Sire of Huneric

FOV 6285/06

Hansen
583 IOA at 4yrs

ROK 52/03

Salvador
605 IOA

CRW 503/05

Jamieson
HA 12kg IOA 573

FRZ 4324/80

Lancaster

CRW 5004/05

Chancellor Peel
HA 17.3kg

DGZ 229/90

Harvey
SA2 11.59kg
@ 9yrs

WDM 179/00

Laszlo
SA2 8.48kg

TOW 8078/85

Kane
603 IOA

BFP 91/03

Comment: Sire McCaws heritability is now well documented in previous stag sale catalogues. He is also the sire of Cane (841 IOA at 5 years). Dam sire Brusnik is also the sire of Nixon and Huneric. Kane on the bottom line is a full brother to Hector. Vetted in calf to Truman who scored 538 IOA at 3 years with a broken tyne so not his true score. We liked his antler structure with well placed bottom tynes. A great opportunity to include Rocka fella genetics into this progeny pedigree.

Pure European r 3yr Hind
Vetted in calf to Titanic

Price: _____

Purchaser: _____



Titanic

Titanic
637 1/2 IOA
@ 4yrs
59 pts
19.52kg HA

Kallis
575 IOA @ 4yrs
28kg HA 44pts

Te Anau Gold

Doug

PTS 444/06

PTS 315/10

PTS 7226/07

PTS 5247/05

FOV 3291/13
120kg

McCaw

2nd Nat 3yr HA
Comp
692 IOA @ 7yrs
20.37kg

Odysseus
702 IOA

CAN 142/01

FOV 124/10

Huneric

Nat 2yr HA Champ

TOW 8023/08

Lincoln

611 IOA at 4yrs

Hansen

583 IOA at 4yrs

ROK 52/03

Hudrock
590 IOA @ 3yrs

CRW 1016/10

Mr Peel

IOA 484

CRW 842/08

FOV 9186/19
120kg



Hudrock

LDD 332/14
115kg

Sovergin II

Sovereign

47pts & IOA 574

FOV 4959/04

LDD 644/08

Kingston

IOA 535 HA

17.2kg

LDD 265/05

Progeny of
FOV 9186/19

Comment: Sire Hudrock was 590 IOA @ 3years and has been velveted ever since and so we don't have a record of his trophy score now. An impressive sire in his own right and sire of multi pointed spikers. Dam sire Sovereign II was purchased from us by Chris Peterson as an embryo. Two heavy antlered sires in this hinds pedigree. Vetted in calf to Titanic who would have easily scored over 700 IOA had he not damaged his velvet early on. We are confident he will show his full potential again this year.

Pure European r 5yr Hind Vetted in calf to Zamson

51

P 71

Price: _____

Purchaser: _____



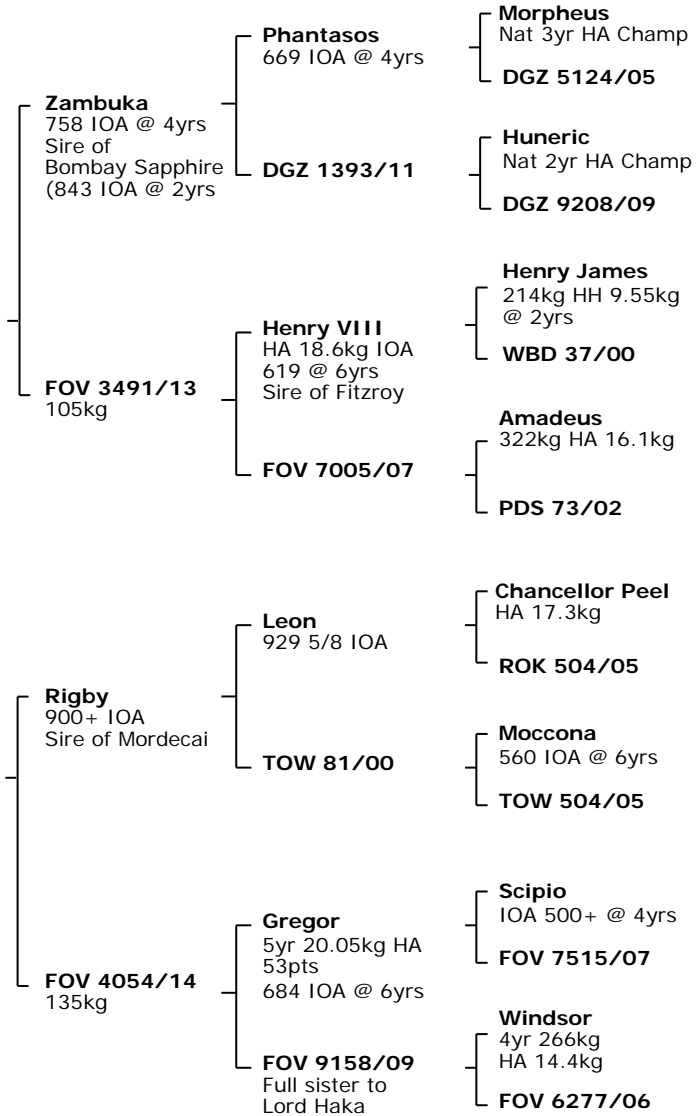
Zamson
3 yr son of
Zambuka

Progeny of
FOV 7265/17

FOV 7265/17
118kg



Rigby



Comment: Sire Rigby is also the sire of Mordecai. He is one of a select few industry sires to break the 900 IOA mark. Dam sire Gregor had an antler with the "wow" factor. Note grand dam 9158 on the bottom line is a full sister to Lord Haka. Vetted in calf to new master sire Zamson who shares his sire with Bombay Sapphire. Great potency for trophy antler genetics in the resultant progeny.

Price: _____
Purchaser: _____



Progeny of

FOV 9354/19

Zamson
3 yr son of
Zambuka

FOV 9354/19
100kg



Zambuka
758 IOA @ 4yrs
Sire of Bombay
Sapphire
(843 IOA @ 2yrs

Phantasos
669 IOA @ 4yrs

DGZ 1393/11

Morpheus
Nat 3yr HA Champ

DGZ 5124/05

Huneric
Nat 2yr HA Champ

DGZ 9208/09

Henry James
214kg HH 9.55kg
@ 2yrs

WBD 37/00

Amadeus
322kg HA 16.1kg

PDS 73/02

Henry VIII
HA 18.6kg
IOA 619 @ 6yrs
Sire of Fitzroy

FOV 7005/07

FOV 3491/13
105kg

Leon
929 5/8 IOA

TOW 81/00

Rigby
900+ IOA

CAN 9/12

Davidson
751 IOA

CAN 34/05

Mordecai
681 1/2 IOA @
4yrs
Nat 3yr HA
Champ 62 pts
44pts 39" Main

Henry VIII
HA 18.6kg
IOA 619

FOV 9119/09

Fitzroy
664 IOA @ 5yr
22kg HA

FOV 7225/17

FOV 9192/09

Apollo
535 IOA

FOV 7082/07

Comment: Sire Mordecai is impressive at 4 years. His 39" main beam and 25kg of antler is impressive. Dam sire Fitzroy had all the attributes of a great trophy sire - a long and wide antler structure with a heavy beam. Note Apollo on the bottom line is a full brother to Discombe and Holy Oak. Vetted in calf to new sire Zamson who shares his sire Zambuka with super star Bombay Sapphire, which will surely enhance this progeny pedigree.

Delivery Instruction Slip

Purchaser: _____

Address: _____

Phone: _____ Fax: _____

Email: _____

Lots Purchased

TOTAL: \$ _____

Invoice to be forwarded to: _____

Insurance required: YES NO

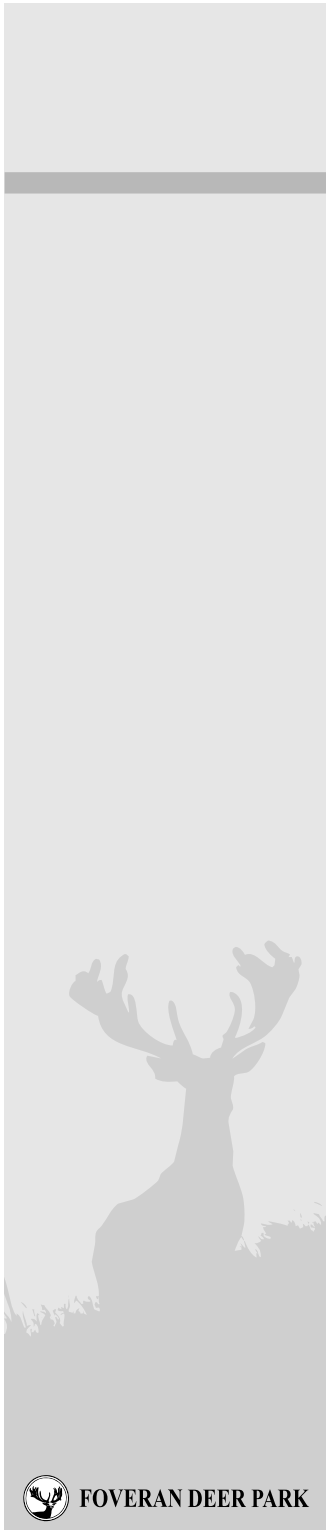
Delivery Instructions

Destination: _____

Signature of Buyer or Agent: _____

Special Conditions

Grazing: All care and no responsibility is taken and all deer to be insured.



Notes



Notes



ALL ENQUIRIES TO:

Foveran Deer Park PO Box 119 Kurow, PH 03 436 0680
Barry Gard 021 222 8964, bgard@foverandeerpark.co.nz

Adam Whaanga, Rural Livestock 0274 183 438

Craig North, Rural Livestock 027 473 0864

Graham Kinsman, PGG Wrightson 0274 223 154

OR CONTACT YOUR LOCAL DEER AGENT.

INTRODUCING OUR NEW 2YR OLD SIRE STAGS:



BARRETT

Cane x Image 441 IOA @ 2yrs



BENJAMIN

Robert Hay x Rigby 417 IOA 40 pts @ 2yrs